

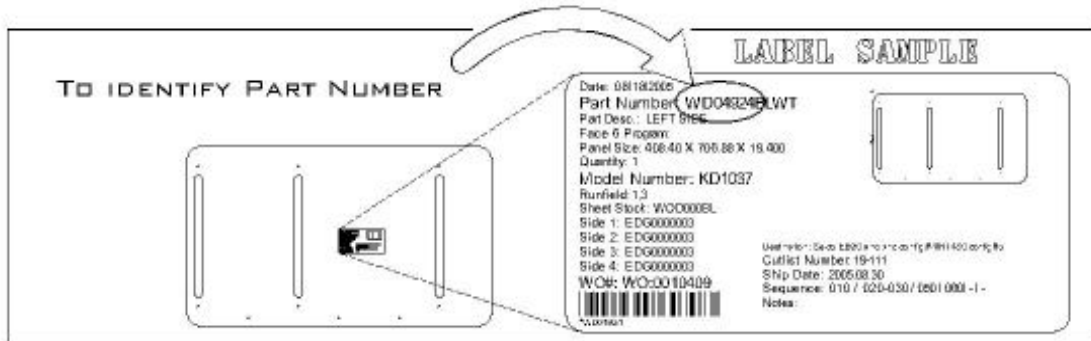
3 Shelf Unit - Model # KD1037

HARDWARE / TOOLS

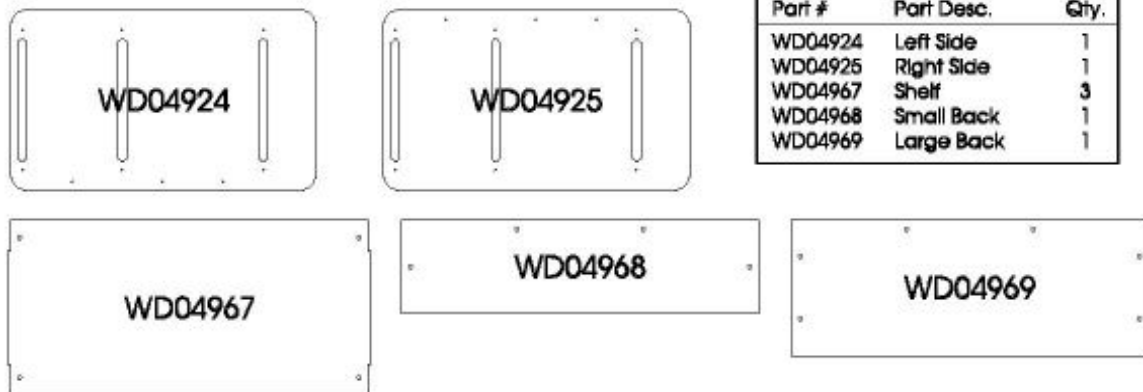


TOOL REQUIRED: HEX WRENCH (PROVIDED).

NOTE: DO NOT USE A POWER SCREWDRIVER OR A POWER DRILL TO TIGHTEN SCREWS



PIECES ENCLOSED: (NOT SHOWN TO SCALE)

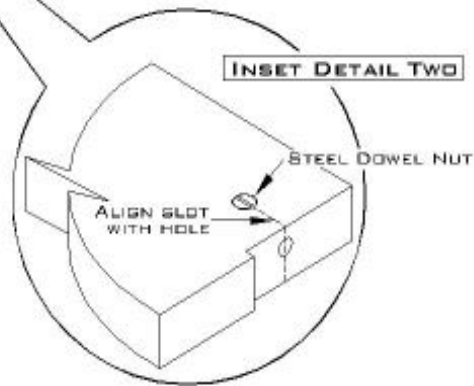
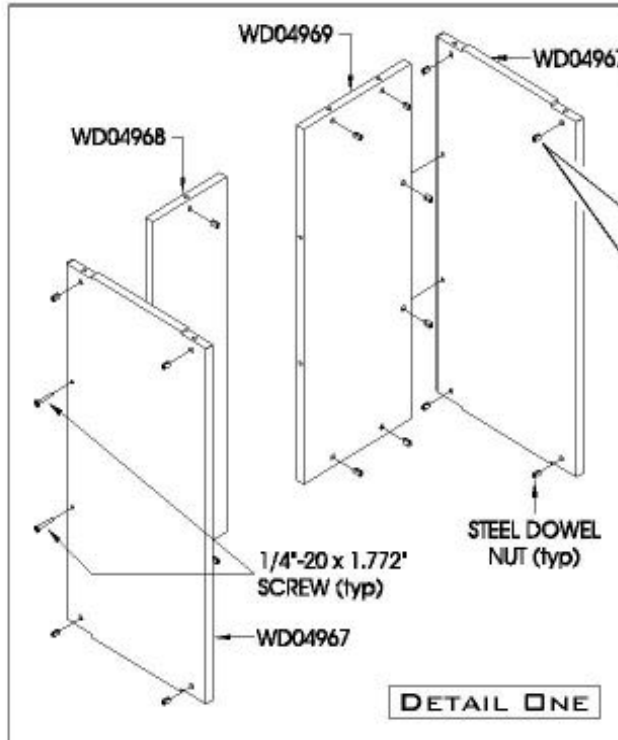


INSPECT ALL PARTS FOR FREIGHT DAMAGE. IF DAMAGE IS DISCOVERED, AND IT WAS NOT NOTED ON THE BILL OF LADING AT THE TIME OF DELIVERY, PLEASE CALL **benee's** AT 1-800-854-1411.

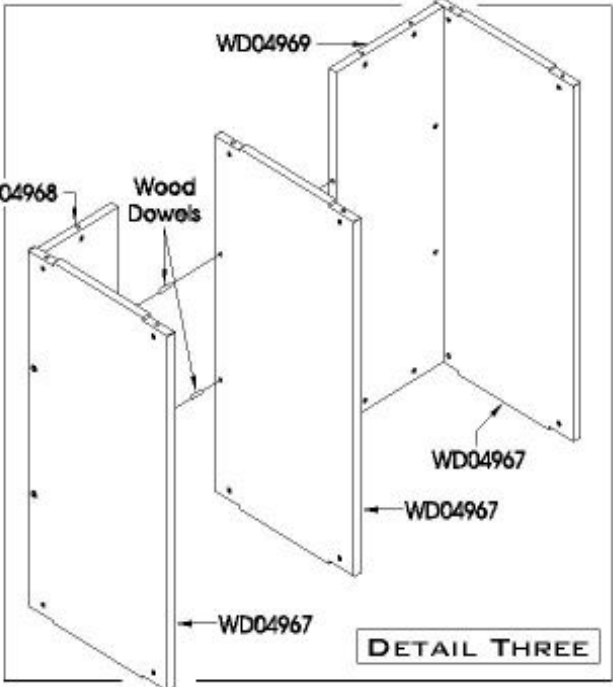
STEP #1 - LAYOUT ALL PARTS AND HARDWARE TO INSURE EVERYTHING HAS BEEN INCLUDED AND THAT YOU ARE FAMILIAR WITH THE COMPONENTS.

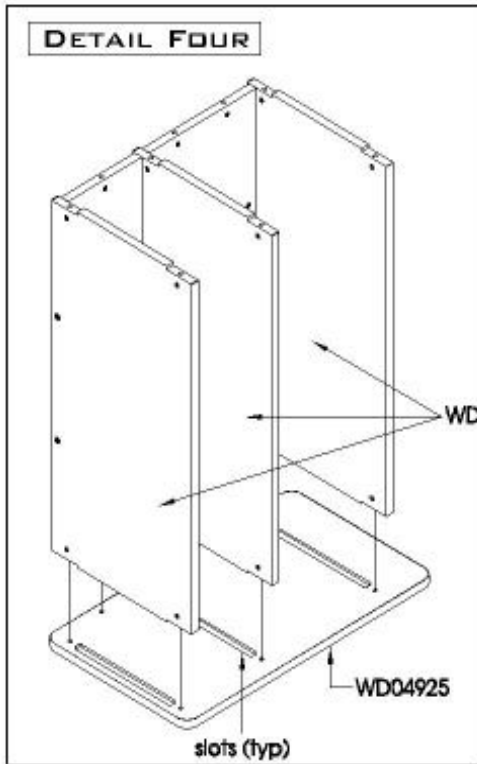


STEP #2 - INSERT (28) STEEL DOWEL NUTS INTO EACH 10.5 MM HOLE IN THE (3) SHELVES (WDD4967), SMALL BACK (WDD4968) AND LARGE BACK. (WDD4969) (SEE INSET DETAIL TWO). ATTACH SHELF (WDD4967) TO SMALL BACK (WDD4968) AND SHELF (WDD4967) TO LARGE BACK. (WDD4969) USING (4) 1/4"-20 X 1.772" SCREWS (SEE DETAIL ONE)



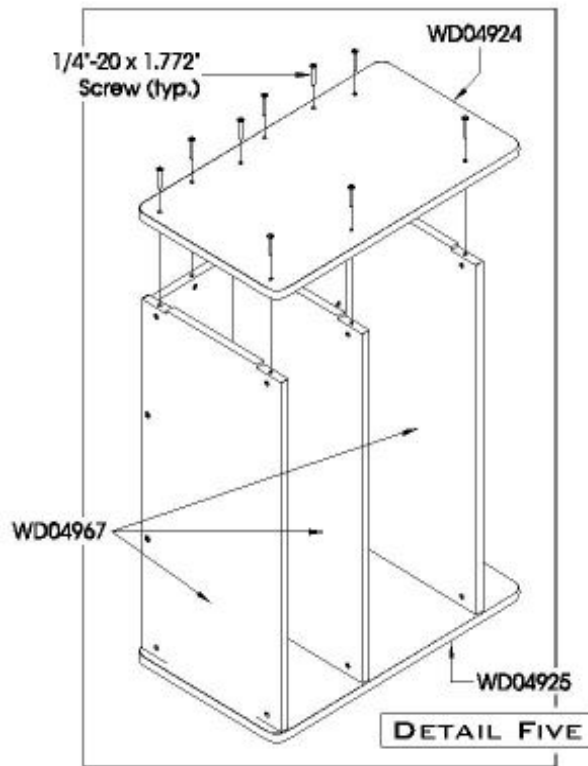
STEP #3 - LOCATE 3RD SHELF (WDD4967) AND (4) WOOD DOWELS. TAKE (2) ASSEMBLIES FROM STEP #1 AND ATTACH TO SHELF (WDD4967) USING WOOD DOWELS. (SEE DETAIL THREE)



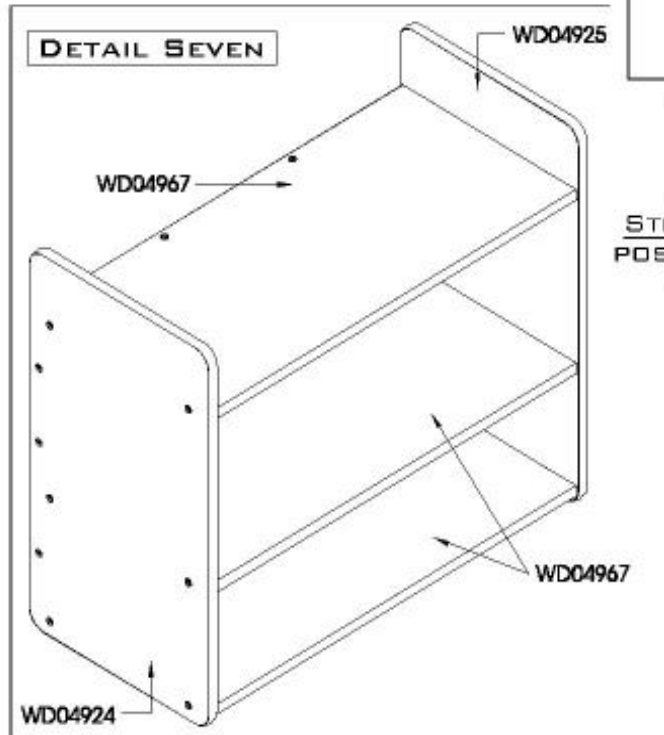
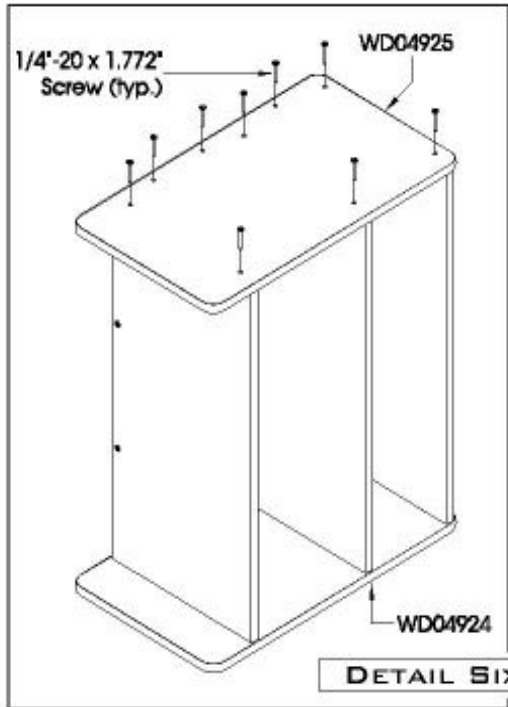


STEP #4 - LAY RIGHT SIDE (WD04925) ON THE FLOOR WITH SLOTS FACING UP. TAKE ASSEMBLY FROM STEP #3 AND PLACE INTO SLOTS IN RIGHT SIDE (WD04925). (SEE DETAIL FOUR)

STEP #5 - LOCATE LEFT SIDE (WD04924) ATTACH USING (9) 1/4"-20 x 1.772". (SEE DETAIL FIVE)



STEP #6 - CAREFULLY TURN UNIT OVER TO LAY ON THE LEFT SIDE (WD04924) AND ATTACH USING (9) 1/4"-20 X 1.772". (SEE DETAIL SIX)



STEP #7 - TURN UNIT INTO AN UPRIGHT POSITION. (SEE DETAIL SEVEN)

