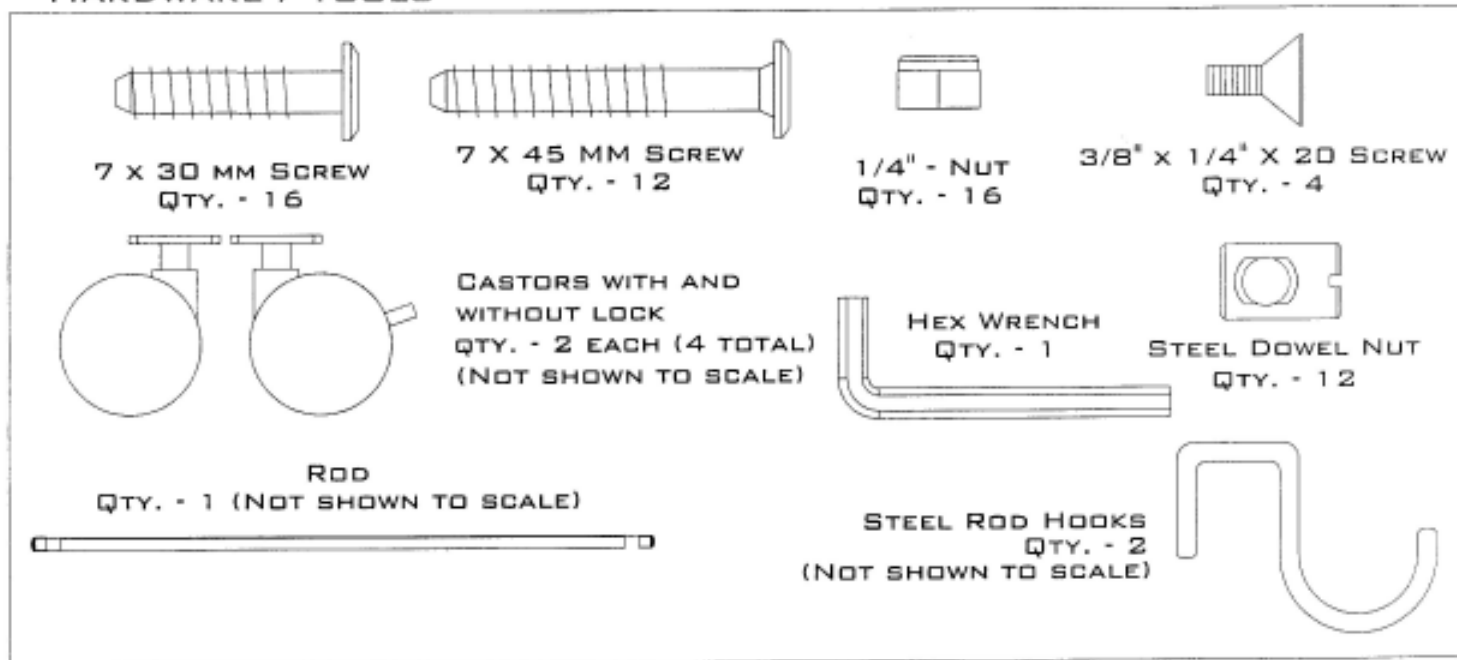
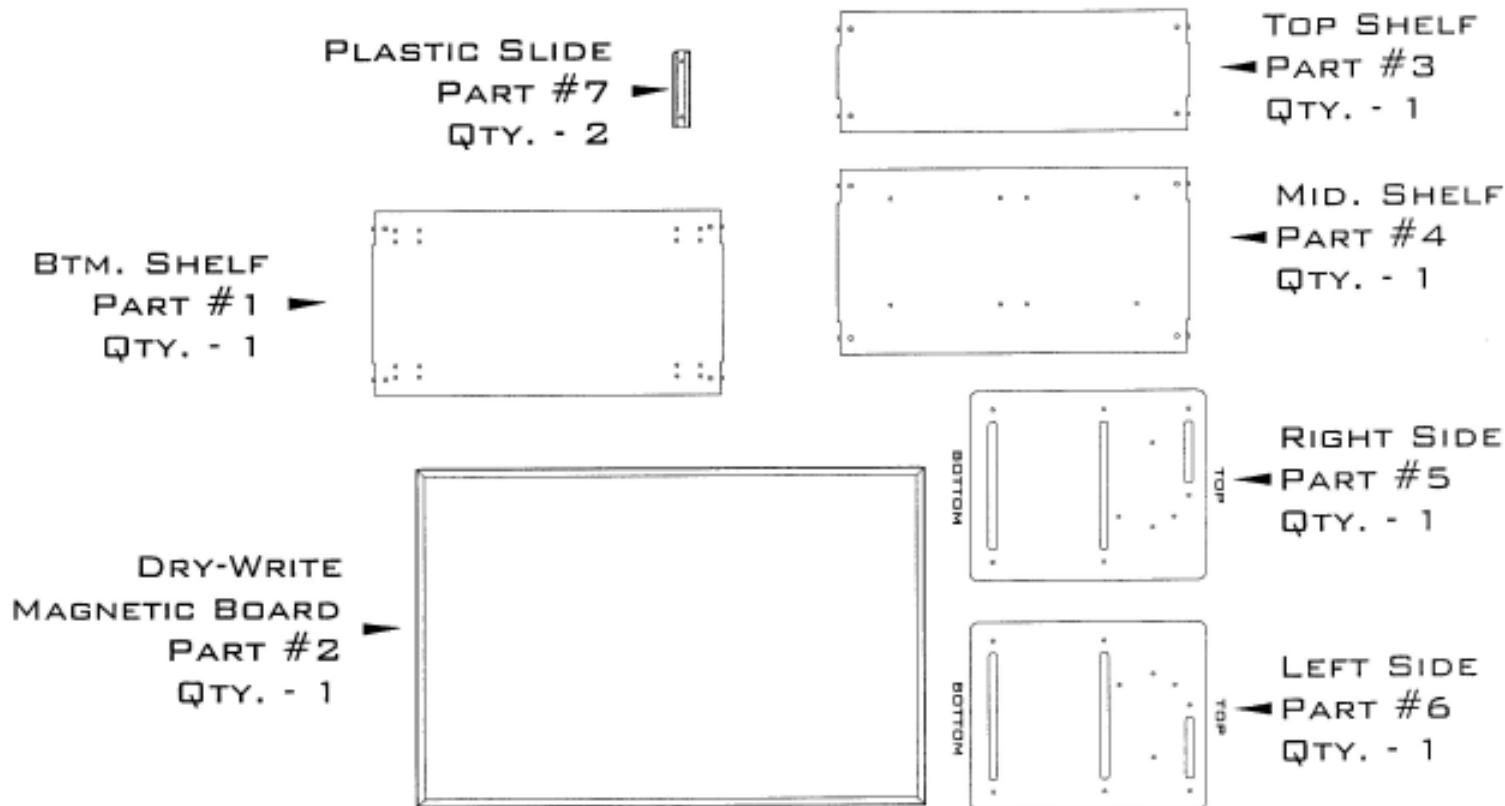


### HARDWARE / TOOLS



INSPECT ALL PARTS FOR FREIGHT DAMAGE. IF DAMAGE IS DISCOVERED, AND IT WAS NOT NOTED ON THE BILL OF LADING AT THE TIME OF DELIVERY, PLEASE CALL benee's AT 1-800-854-1411.

### PIECES ENCLOSED:



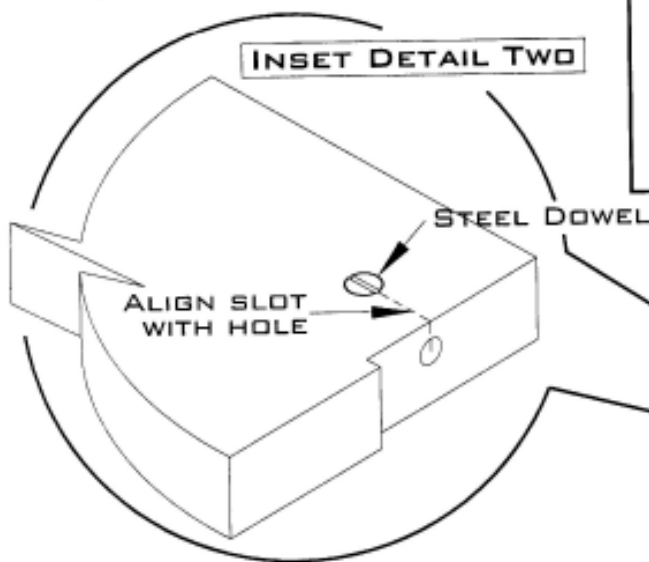
TOOL REQUIRED: PHILLIPS SCREWDRIVER, 7/16" WRENCH, & POSSIBLE RUBBER Mallet (NOT SUPPLIED)

NOTE: DO NOT USE A POWER SCREWDRIVER OR A POWER DRILL TO TIGHTEN SCREWS

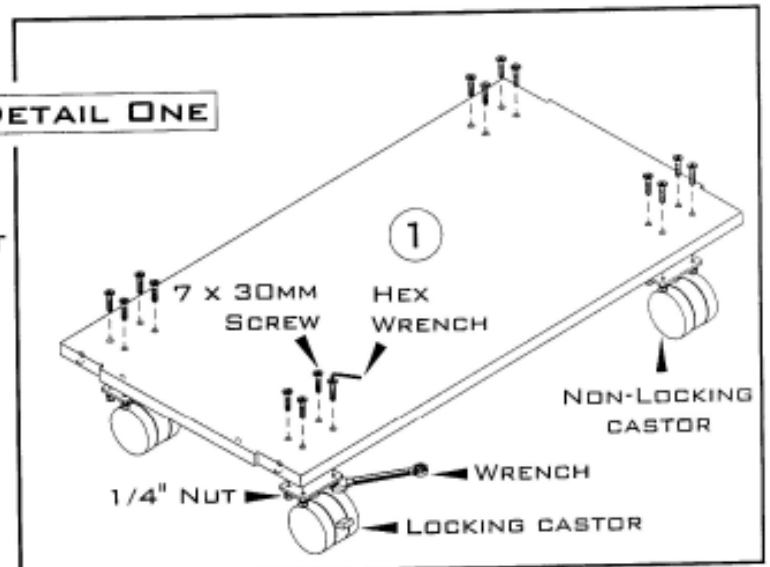
**STEP #1** - LAYOUT ALL PARTS AND HARDWARE TO INSURE EVERYTHING HAS BEEN INCLUDED AND THAT YOU ARE FAMILIAR WITH THE COMPONENTS.

**STEP #2** - ATTACH ALL FOUR CASTORS TO THE BOTTOM SHELF (#1) USING 7 X 30 MM SCREWS (4 TOTAL) AND 1/4" NUTS (4 TOTAL) PER CASTOR. SEE DETAIL ONE) NOTE: LOCATE EACH LOCKING CASTOR DIAGONAL FROM EACH OTHER.

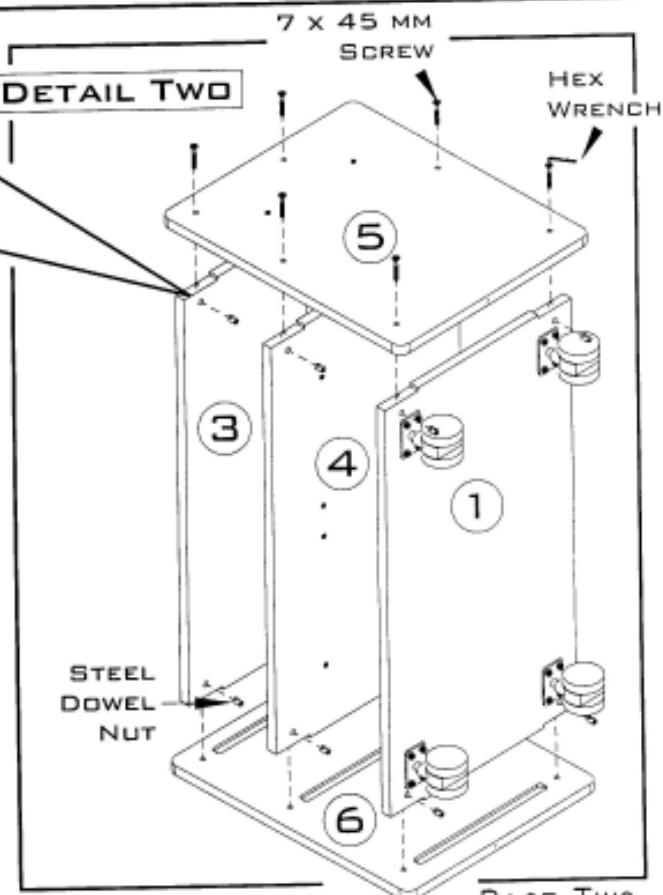
**STEP #3** - LOCATE TOP SHELF (#3) MID. SHELF (#4) BTM. SHELF (#1), LEFT SIDE (#6), RIGHT SIDE (5), 7 X 50 MM SCREWS (12 TOTAL) AND STEEL DOWEL NUTS, (12 TOTAL).



DETAIL ONE

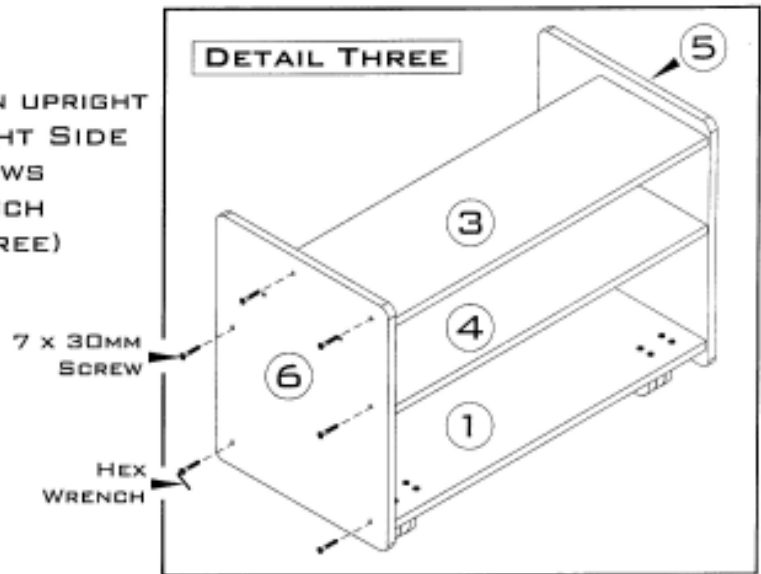


DETAIL TWO

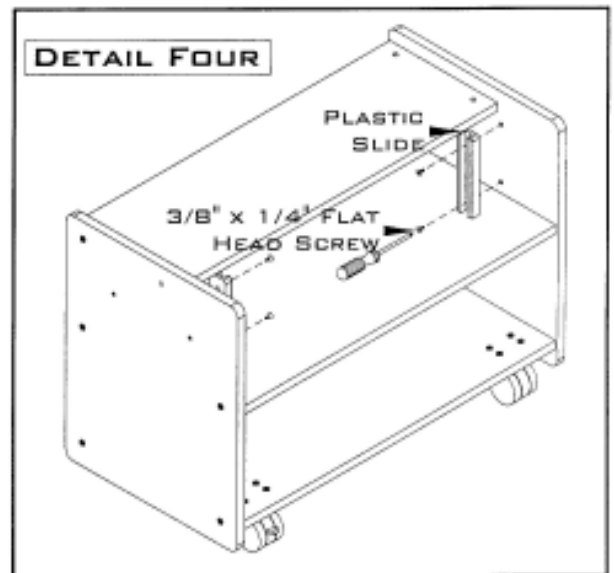


**STEP #4** - LAY THE LEFT SIDE (#6) FLAT ON THE FLOOR. TAKE BOTTOM SHELF (#1), MID. SHELF (#4), AND TOP SHELF (#3) AND INSERT INTO SLOTS ON LEFT SIDE (#6). INSERT STEEL DOWEL NUTS (12 TOTAL) INTO 10.5 MM HOLES THEN PLACE RIGHT SIDE (#5) INTO PLACE AND SECURE USING 7 X 45 MM SCREWS (6 TOTAL) WITH HEX WRENCH PROVIDED. (SEE DETAIL TWO)

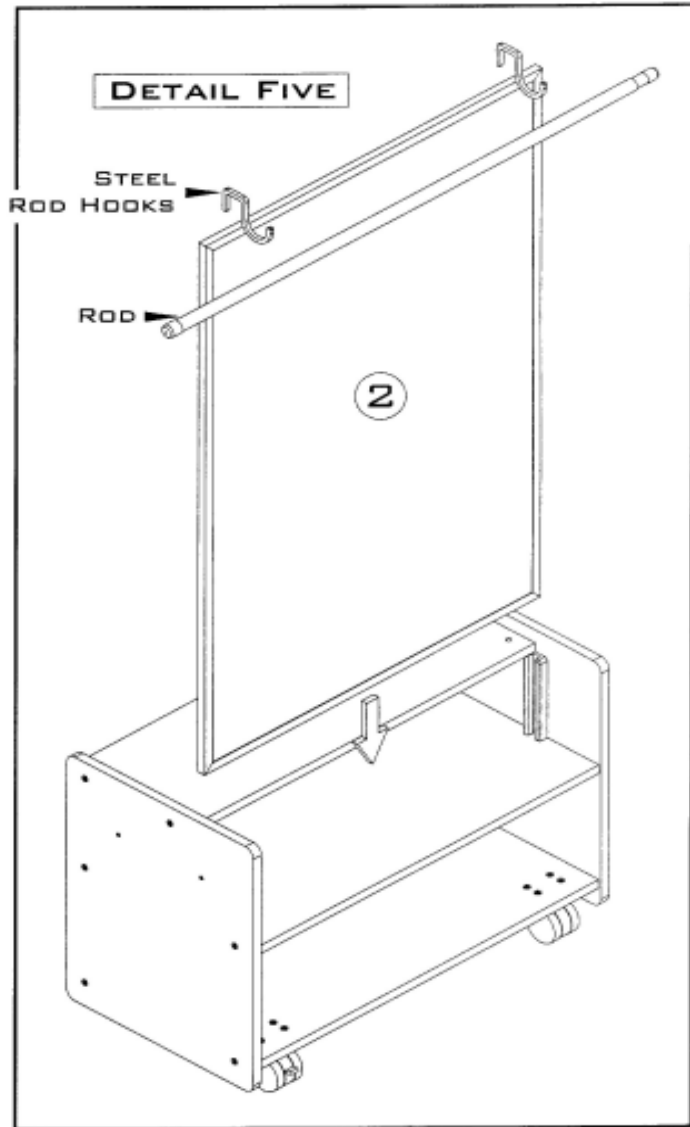
**STEP #6** - PLACE UNIT IN AN UPRIGHT POSITION AND SECURE RIGHT SIDE (#5) WITH 7 X 45 MM SCREWS (6 TOTAL) USING HEX WRENCH PROVIDED. (SEE DETAIL THREE)



**STEP #7** - ATTACH THE PLASTIC SLIDES (2 TOTAL), USING 2 EACH 3/8" X 1/4" FLAT-HEAD SCREWS (SEE DETAIL FOUR)



STEP #8 - SLIDE DRY-WRITE MAGNETIC BOARD INTO PLASTIC RAILS AND HANGE PLASTIC ROD HOOKS AND ROD. (SEE DETAIL FIVE)

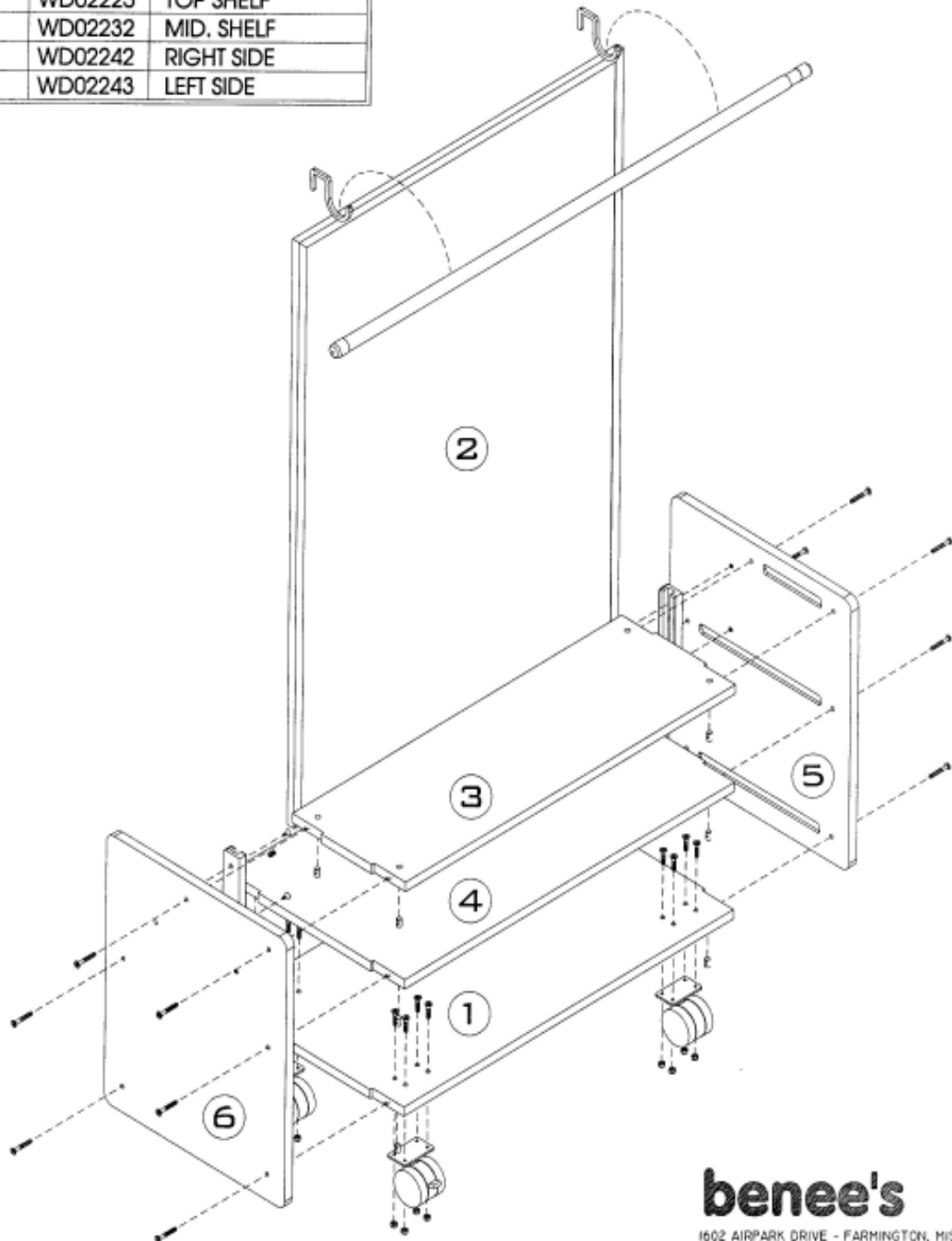


IMPORTANT - MAKE CERTAIN ALL SCREWS ARE TIGHT.

# EXPLODED VIEW

Model # KD0805

REF#	PART#	DESCRIPTION
1	WD03030	BTM. SHELF
2		DRY-WRITE BOARD
3	WD02225	TOP SHELF
4	WD02232	MID. SHELF
5	WD02242	RIGHT SIDE
6	WD02243	LEFT SIDE



**benee's**

1602 AIRPARK DRIVE - FARMINGTON, MISSOURI 63640  
PHONE: 1-800-854-1611 / FAX: (573) 756-2384  
WEB SITE: BENEES.COM / EMAIL: INFO@BENEES.COM