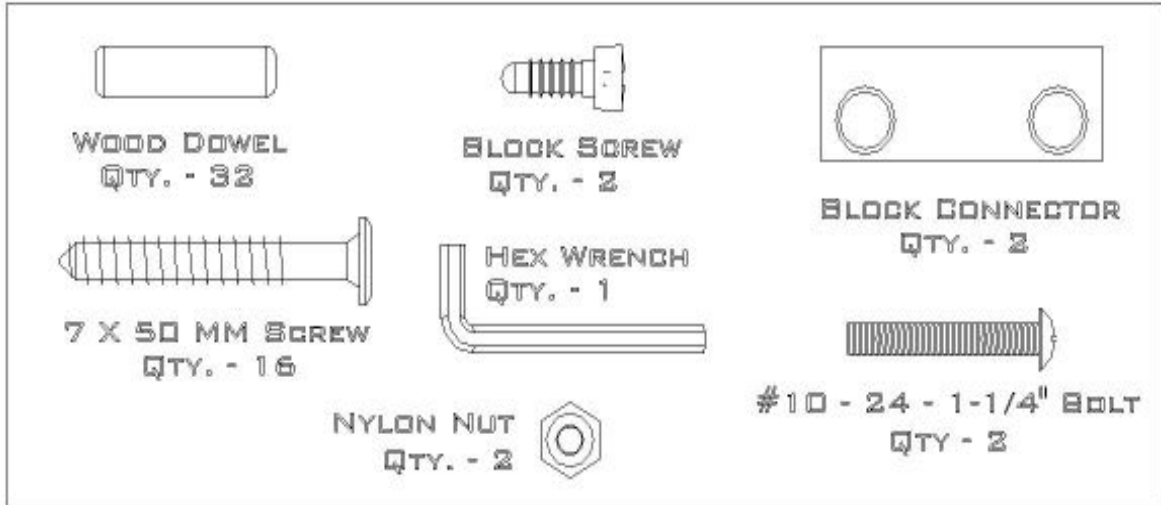


benee's Storage Unit - Model # KD0120

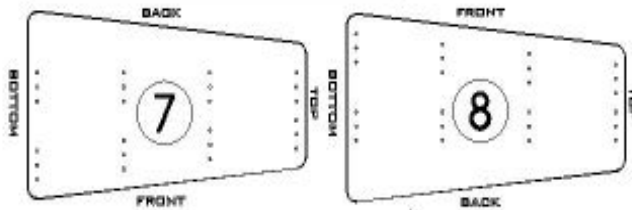
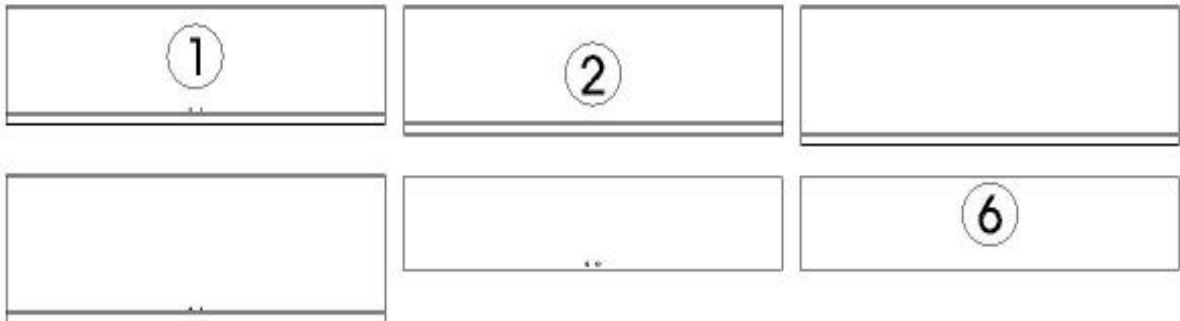
HARDWARE / TOOLS



TOOL REQUIRED: PHILLIPS SCREWDRIVER & POSSIBLE RUBBER Mallet (NOT SUPPLIED)

NOTE: DO NOT USE A POWER SCREWDRIVER OR A POWER DRILL TO TIGHTEN SCREWS

PIECES ENGAGED:



- #1 - Top Shelf, qty. 1
- #2 - 2nd Shelf, qty. 1
- #3 - 3rd Shelf, qty. 1
- #4 - Bottom Shelf, qty. 1
- #5 - Top/Bottom Back, qty. 1
- #6 - Middle Back, qty. 1
- #7 - Right Side, qty. 1
- #8 - Left Side, qty. 1

INSPECT ALL PARTS FOR FREIGHT DAMAGE. IF DAMAGE IS DISCOVERED, AND IT WAS NOT NOTED ON THE BILL OF LADING AT THE TIME OF DELIVERY, PLEASE CALL **benee's** AT 1-800-854-1411.



benee's

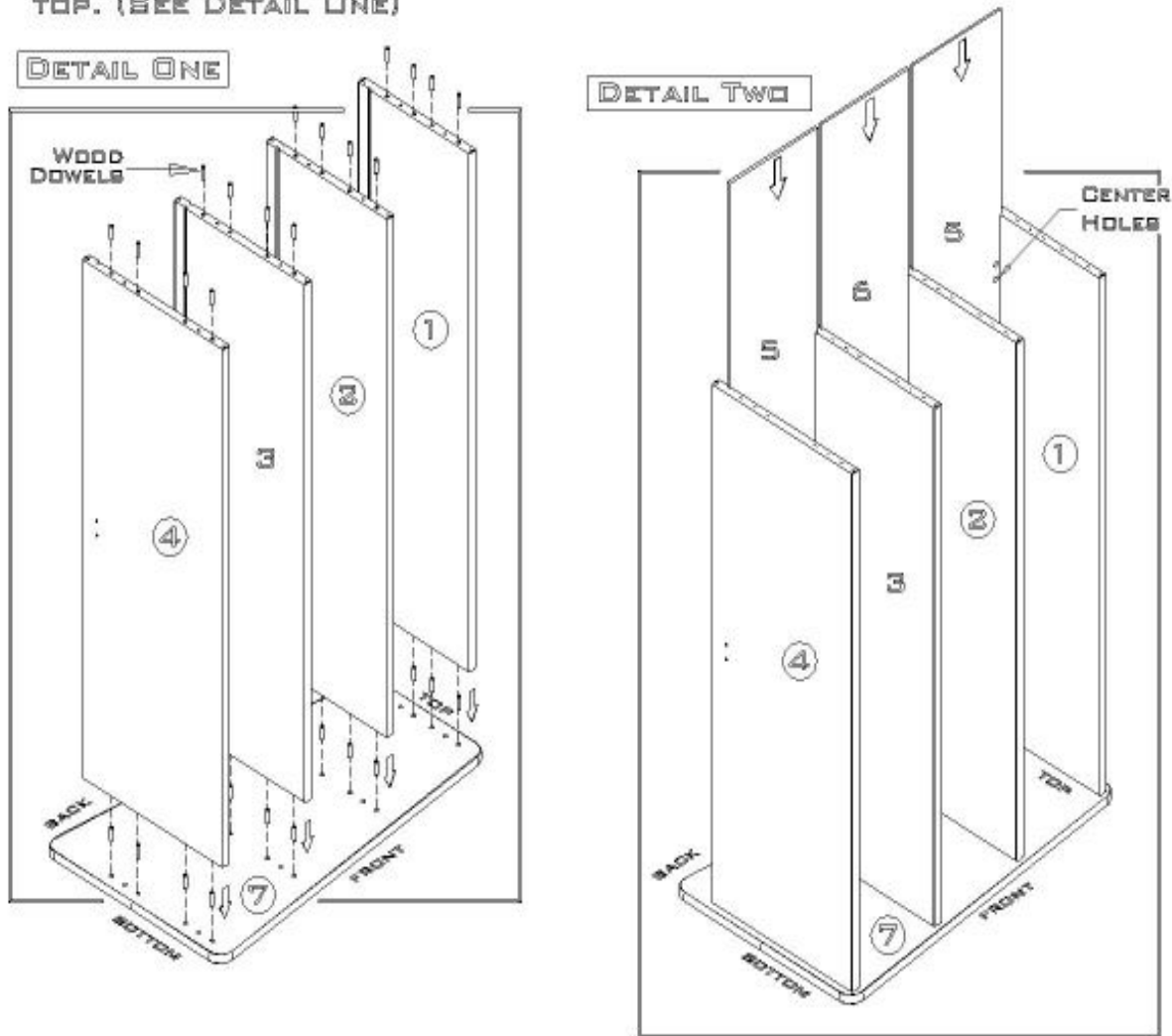
1602 AIRPARK DRIVE - FARMINGTON, MISSOURI 63640
PHONE: 1-800-854-1411 / FAX: (573) 756-2384
WEB SITE: BENEES.COM / EMAIL: INFO@BENEES.COM

IDENTIFY RIGHT AND LEFT SIDES BY ORIENTING SIDES TO HOLES AS SHOWN ABOVE

STEP #1 - LAYOUT ALL PARTS AND HARDWARE TO INSURE EVERYTHING HAS BEEN INCLUDED AND THAT YOU ARE FAMILIAR WITH THE COMPONENTS.

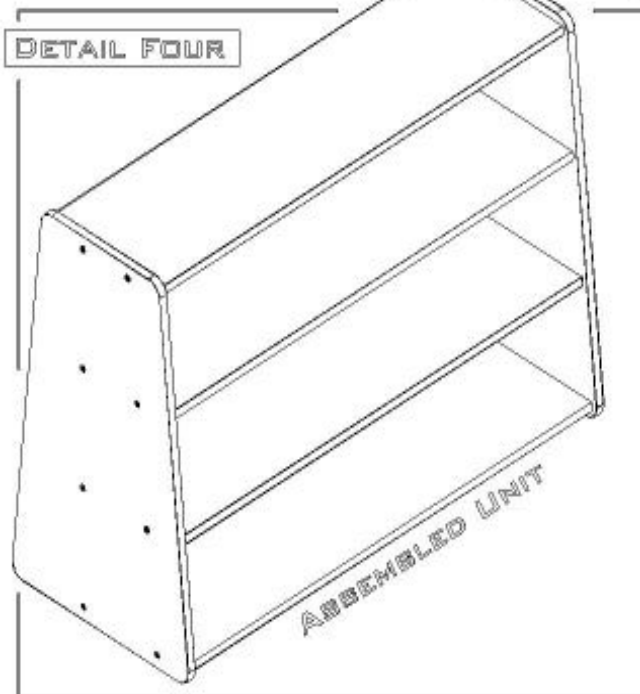
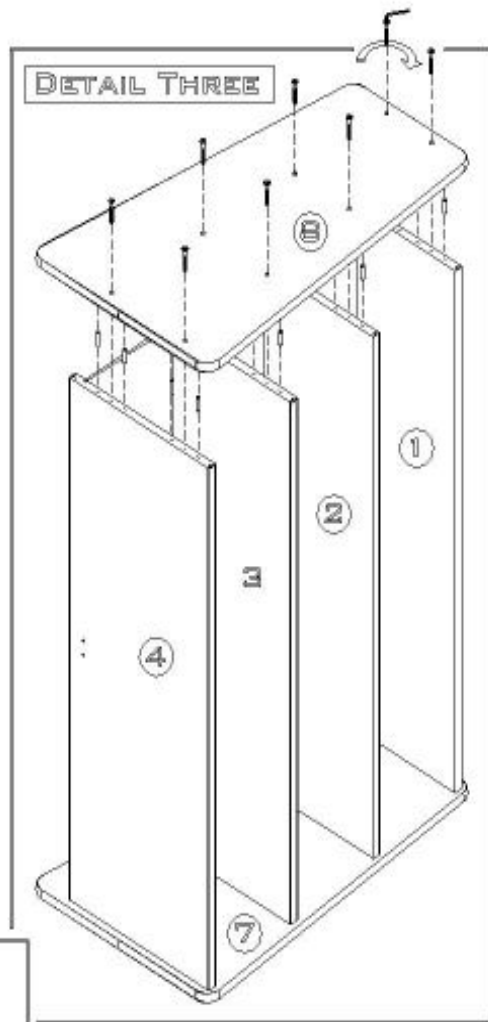
STEP #2 - PUSH ALL WOOD DOWELS (32 TOTAL) INTO BOTH ENDS OF TOP SHELF (#1), 2ND SHELF (#2), 3RD SHELF (#3), BOTTOM SHELF (#4) (SEE DETAIL ONE)

STEP #3 - LAY RIGHT SIDE (#7) FLAT. INSERT TOP SHELF (#1), 2ND SHELF (#2) 3RD SHELF (#3) AND BOTTOM SHELF (#4) INTO RIGHT SIDE (#7). MAKE SURE THAT THE GROOVE IN TOP SHELF (#1) IS FACED TOWARD THE BOTTOM AND THE GROOVE IN BOTTOM SHELF (#4) IS FACED TOWARD THE TOP. (SEE DETAIL ONE)



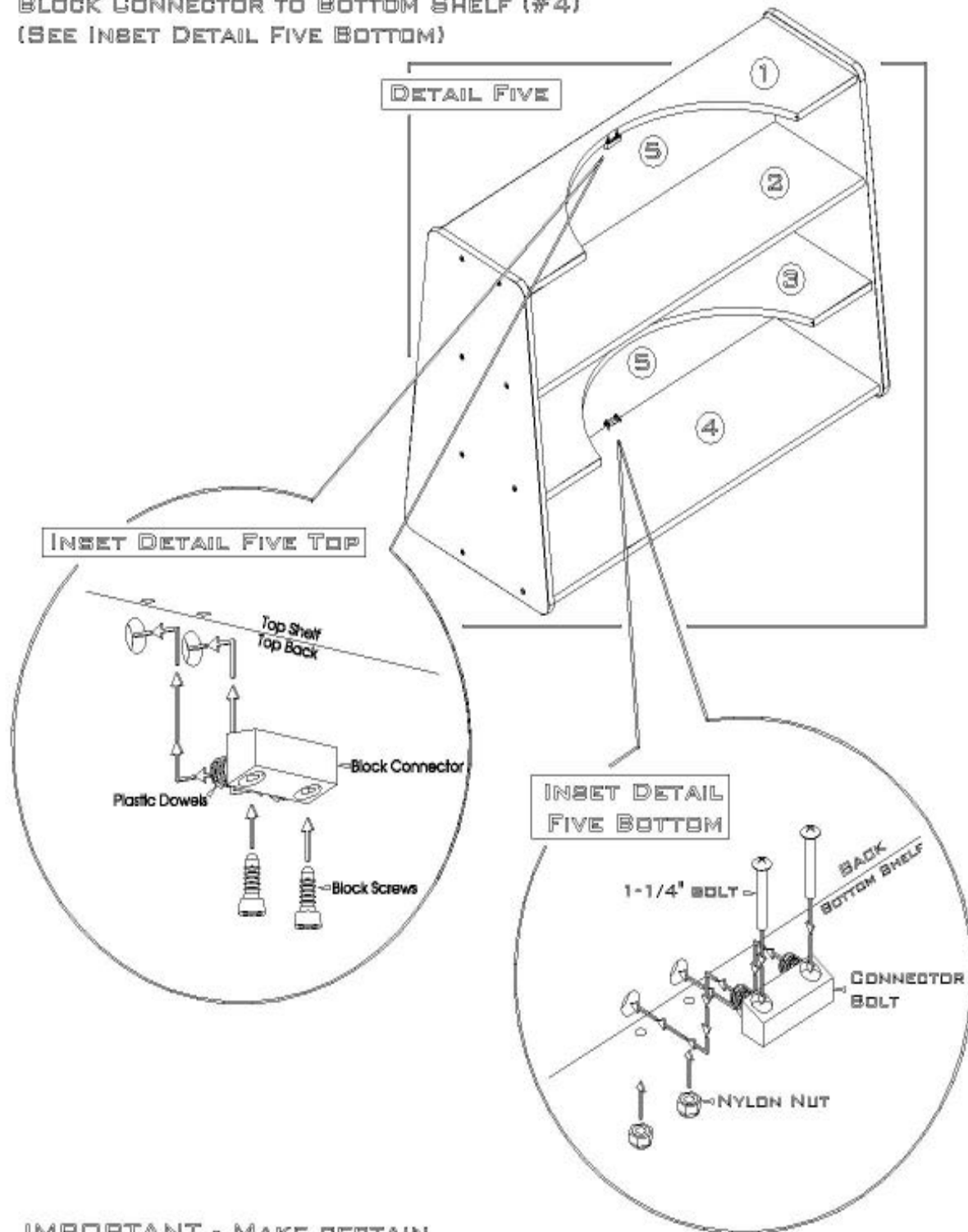
STEP #4 - SLIDE TOP BACK (#5) INTO GROOVES IN TOP SHELF (#1) AND 2ND SHELF (#2), AND MIDDLE BACK (#6) INTO GROOVES IN THE 2ND SHELF (#2) AND THE 3RD SHELF (#3) AND BOTTOM BACK (#4) INTO GROOVES INTO 3RD SHELF (#3) AND BOTTOM SHELF (#4). INSURE THE TWO CENTER HOLES IN TOP BACK (#5) ARE ON THE "TOP" AND THE TWO CENTER HOLES IN BOTTOM BACK (#4) ARE ON THE "BOTTOM". (SEE DETAIL TWO)

STEP #5 - PLACE LEFT SIDE (#8) IN POSITION, USE RUBBER Mallet IF NECESSARY, SECURE WITH (8) 7 X 50 MM SCREWS USING HEX WRENCH PROVIDED. (SEE DETAIL THREE)



STEP #6 - PLACE UNIT IN AN UPRIGHT POSITION AND SECURE RIGHT SIDE (#7) WITH (8) 7 X 50MM SCREWS USING HEX WRENCH PROVIDED. (REFER TO DETAIL THREE)

STEP #7 - PUSH THE TWO PLASTIC DOWELS ON EACH BLOCK CONNECTOR INTO THE TWO HOLES IN THE TOP BACK (#5) AND BOTTOM BACK (#5) (2 TOTAL). INSERT BLOCK SCREWS (2 TOTAL) INTO BLOCK CONNECTOR AND TIGHTEN TO TOP SHELF (#1) (SEE INSET DETAIL FIVE TOP) USING TWO 1-1/4" BOLTS AND TWO NYLON NUTS, ATTACH THE BOTTOM BLOCK CONNECTOR TO BOTTOM SHELF (#4) (SEE INSET DETAIL FIVE BOTTOM)

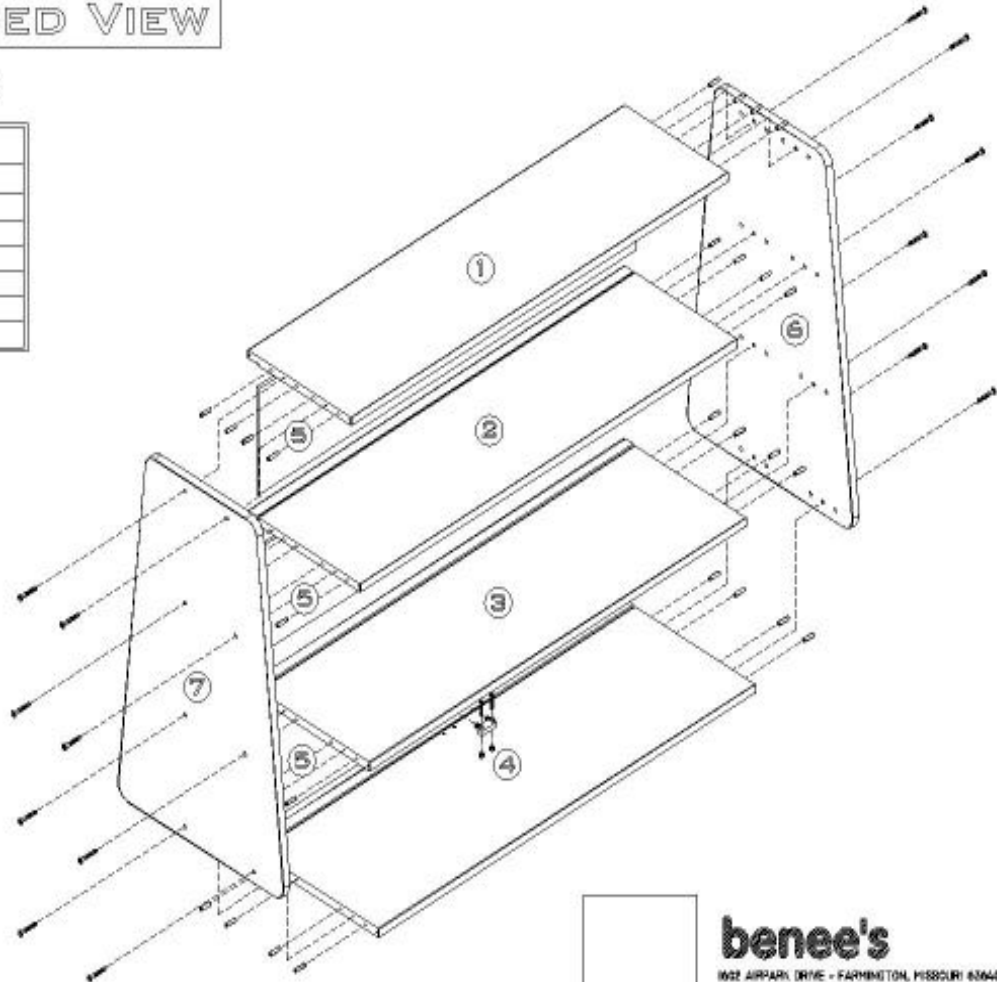


IMPORTANT - MAKE CERTAIN ALL SCREWS ARE TIGHT.

EXPLODED VIEW

Model # KD0120

REF#	DESCRIPTION
1	TOP SHELF
2	2ND SHELF
3	3RD SHELF
4	BOTTOM SHELF
5	BACK
6	RIGHT SIDE
7	LEFT SIDE



PAGE FIVE



benee's

1622 AIRPARK DRIVE • FARMINGTON, MISSOURI 63640
PHONE: 1-800-854-416 / FAX: (872) 795-2394
WEB SITE: www.benee.com / EMAIL: info@benee.com