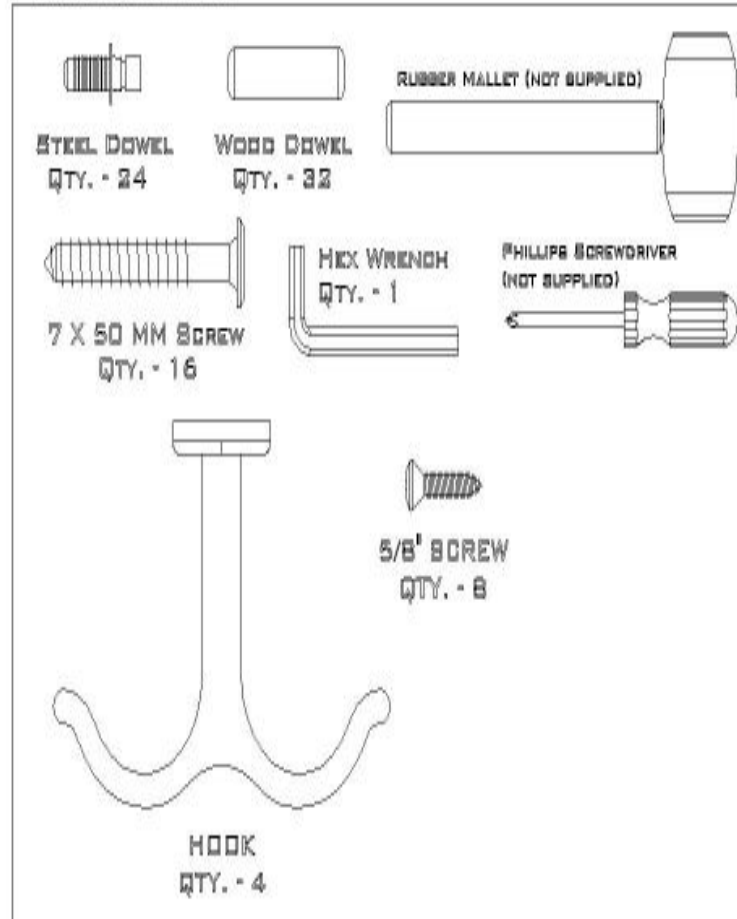


# benee's Wall Storage Unit - Model # KD0001

## HARDWARE / TOOLS



TOOL REQUIRED: PHILLIPS SCREWDRIVER & POSSIBLE RUBBER Mallet (NOT SUPPLIED)

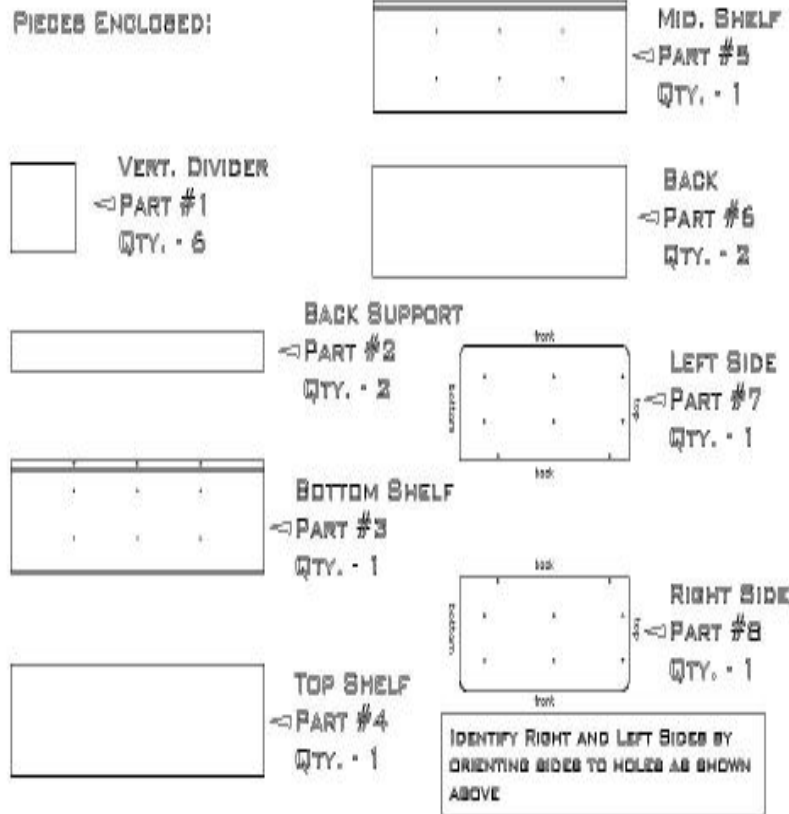
NOTE: DO NOT USE A POWER SCREWDRIVER OR A POWER DRILL TO TIGHTEN SCREWS

INSPECT ALL PARTS FOR FREIGHT DAMAGE. IF DAMAGE IS DISCOVERED, AND IT WAS NOT NOTED ON THE BILL OF LADING AT THE TIME OF DELIVERY, PLEASE CALL **benee's** AT 1-800-854-1411.



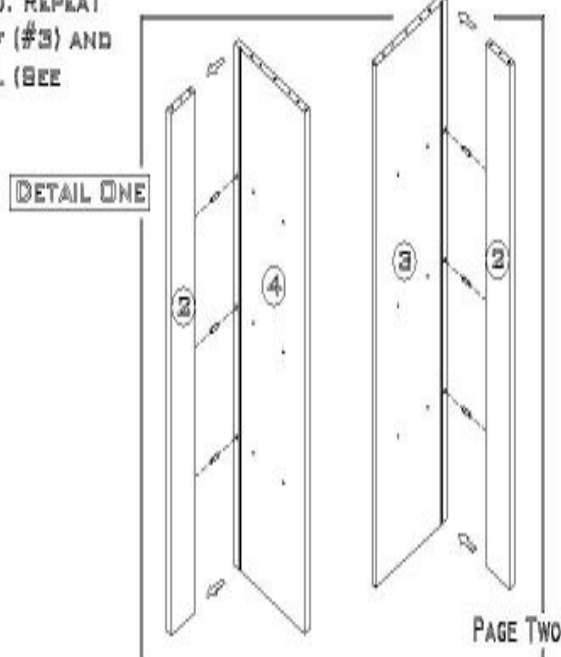
# benee's

1602 AIRPARK DRIVE - FARMINGTON, MISSOURI 63640  
PHONE: 1-800-854-1411 / FAX: (873) 756-2366  
WEB SITE: [www.benees.com](http://www.benees.com) / EMAIL: [info@benees.com](mailto:info@benees.com)



**STEP #1 - LAYOUT ALL PARTS AND HARDWARE TO INSURE EVERYTHING HAS BEEN INCLUDED AND THAT YOU ARE FAMILIAR WITH THE COMPONENTS.**

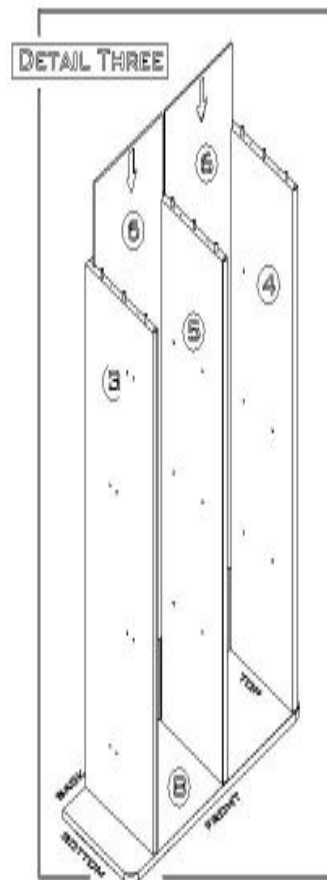
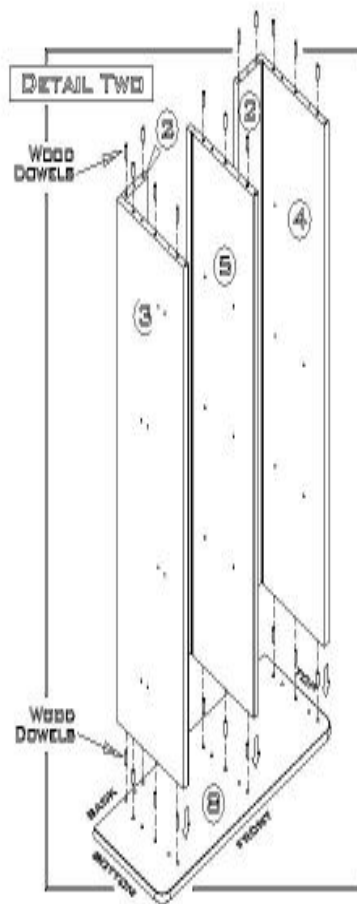
**STEP #2 - INSERT (3 TOTAL) WOOD DOWELS INTO TOP SHELF (#4), ATTACH BACK SUPPORT (#2). REPEAT WITH BOTTOM SHELF (#3) AND BACK SUPPORT (#2). (SEE DETAIL ONE)**



**STEP #3** - INSERT (26 TOTAL) WOOD DOWELS INTO BOTH ENDS OF TOP SHELF (#4), MID. SHELF (#5), BOTTOM SHELF (#3), AND BACK SUPPORTS (#2) (SEE DETAIL TWO).

**STEP #4** - LAY RIGHT SIDE (#8) FLAT. INSERT TOP SHELF (#4) AND BACK SUPPORT (#2) ASSEMBLY, BOTTOM SHELF (#3) AND BACK SUPPORT (#2) ASSEMBLY, AND MID. SHELF (#5) INTO RIGHT SIDE (#8). (SEE DETAIL TWO)

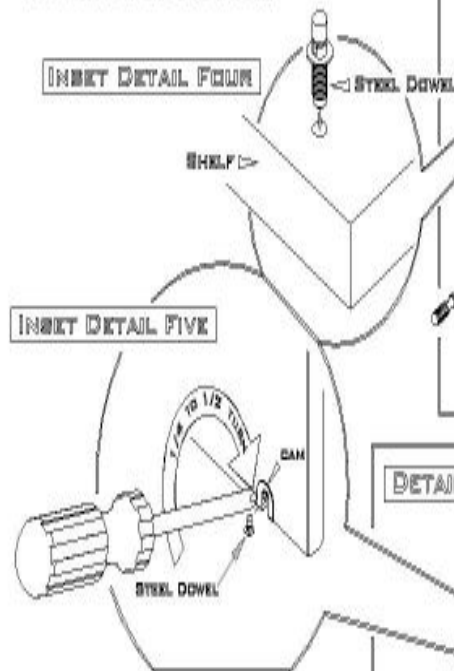
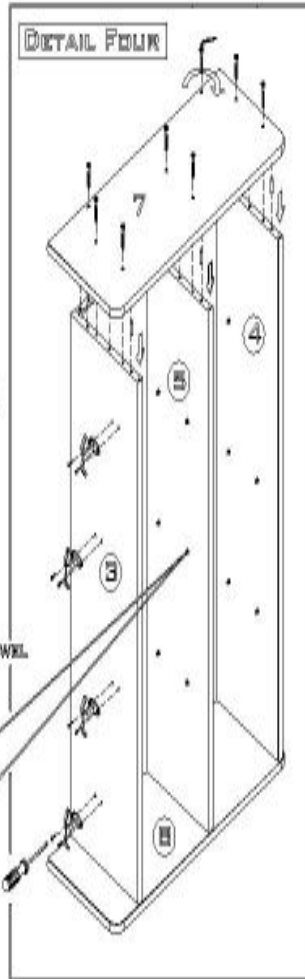
**STEP #5** - SLIDE BACKS (#6) INTO GROOVES IN TOP SHELF (#4) AND MID. SHELF (#5) AND BOTTOM SHELF (#3) (SEE DETAIL THREE.)



**STEP #6 - PLACE LEFT SIDE (#7) IN POSITION, USE RUBBER Mallet IF NECESSARY, SECURE WITH (8) 7 X 50 MM SCREWS USING HEX WRENCH PROVIDED. (SEE DETAIL FOUR)**

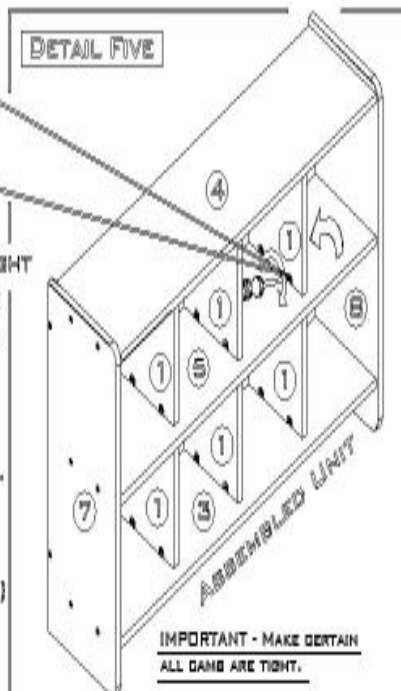
**STEP #7 - ATTACH HOOKS (4 TOTAL) TO BOTTOM SHELF (#3) USING 5/8" SCREWS. (SEE DETAIL FOUR)**

**STEP #8 - INSERT ALL STEEL DOWELS (24 TOTAL) IN PRE-DRILLED 5MM HOLES ON BOTTOM OF TOP SHELF (#4), TOP AND BOTTOM OF MID. SHELF (#5) AND TOP OF BOTTOM SHELF (#3). (SEE INSET DETAIL FOUR)**



**STEP #9 - PLACE UNIT IN AN UPRIGHT POSITION, AND SECURE RIGHT SIDE (#8) WITH (8) 6 X 50MM SCREWS USING HEX WRENCH PROVIDED. (REFER TO DETAIL FOUR.)**

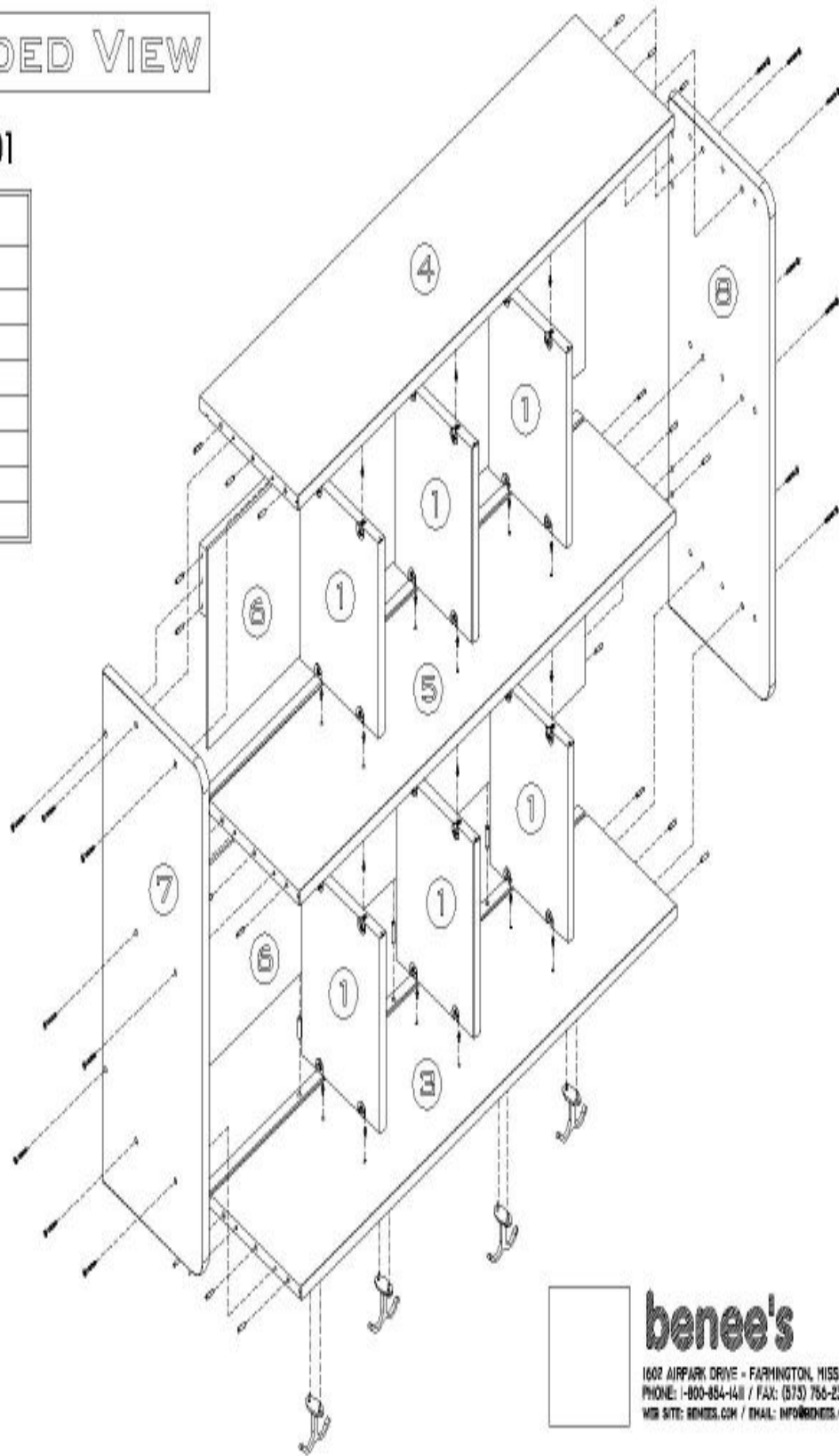
**STEP #10 - INSTALL VERT. DIVIDERS (#1), (6 TOTAL) PUSH EACH VERT. DIVIDER AGAINST FOUR STEEL DOWELS. (SEE DETAIL FIVE) TURN SCREW IN DAM CLOCKWISE 1/4 TO 1/2 TURN, TO TIGHTLY ENGAGE DAMS WITH STEEL DOWELS. (SEE INSET DETAIL FIVE)**



# EXPLODED VIEW

Model # KD0001

REF#	DESCRIPTION
1	VERT. DIVIDER
2	BACK SUPPORT
3	BOTTOM SHELF
4	TOP SHELF
5	MID. SHELF
6	BACK
7	LEFT SIDE
8	RIGHT SIDE



**benee's**  
 1602 AIRPARK DRIVE • FARMINGTON, MISSOURI 63640  
 PHONE: 1-800-884-1411 / FAX: (873) 786-2334  
 WEB SITE: BENEES.COM / EMAIL: INFO@BENEES.COM