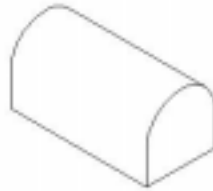


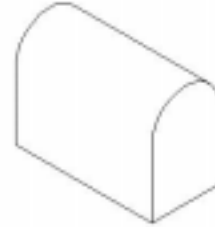
Benee's 7 Piece Slide and Climb - Model # CL0055



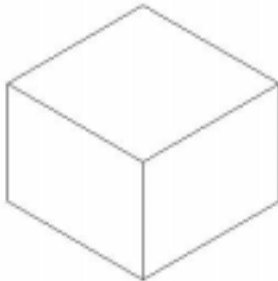
HUMP
24" X 12" X 6"



HUMP
24" X 12" X 12"



HUMP
24" X 12" X 18"



BLOCK
24" X 24" X 18"



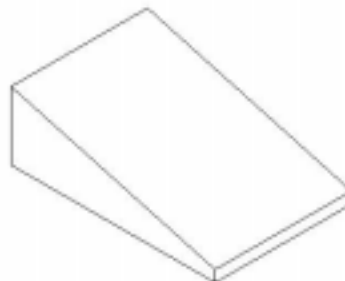
QUARTER CIRCLE
24" X 24" X 6"



QUARTER CIRCLE
36" X 36" X 6"



VELCRO STRIPS
6 PIECES TOTAL



SLIDE
24" X 36" X 12"

Note any freight damage on Bill of Lading at time of delivery. For concealed damage you have 15 days to notify Benee's, Inc. at 1-800-854-1411. After 15 days, further recourse will be denied.

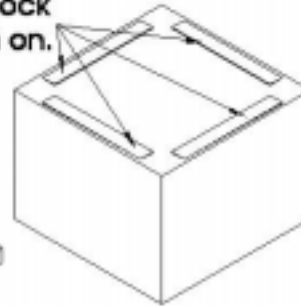


WED SITE: SCHEES COY / EMAIL: HF333@WED.COY - PHONE: 1-800-854-1411
1662 AIRPARK DRIVE - FARMINGTON, MISSOURI 65648 - FAX: (373) 756-2386
PART# IMCL0055 - REV1014 DATE: 09/20/05

Fastening Principle:

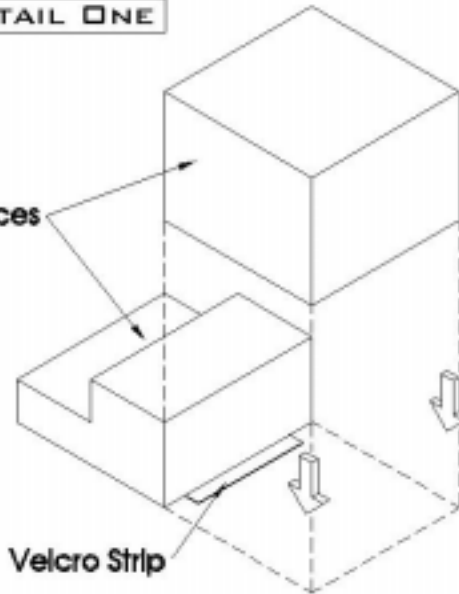
Each foam piece has Velcro sewn along each edge on the bottom side. Use the Velcro Strips to join foam pieces together (See Detail One)

Bottom side of Block
w/velcro strips sewn on.



DETAIL ONE

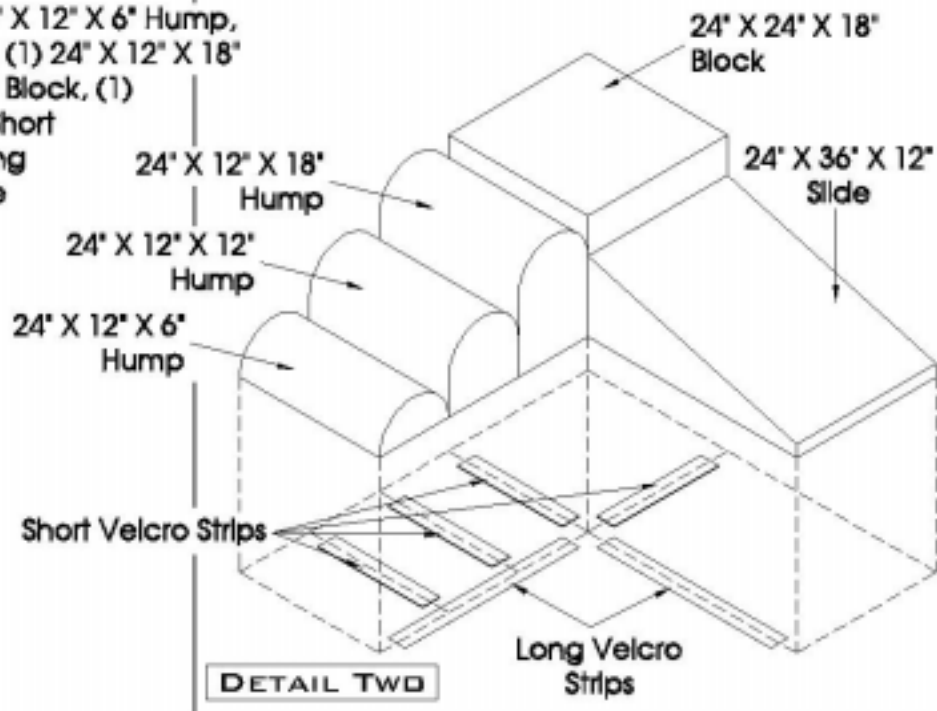
Sample Foam Pieces



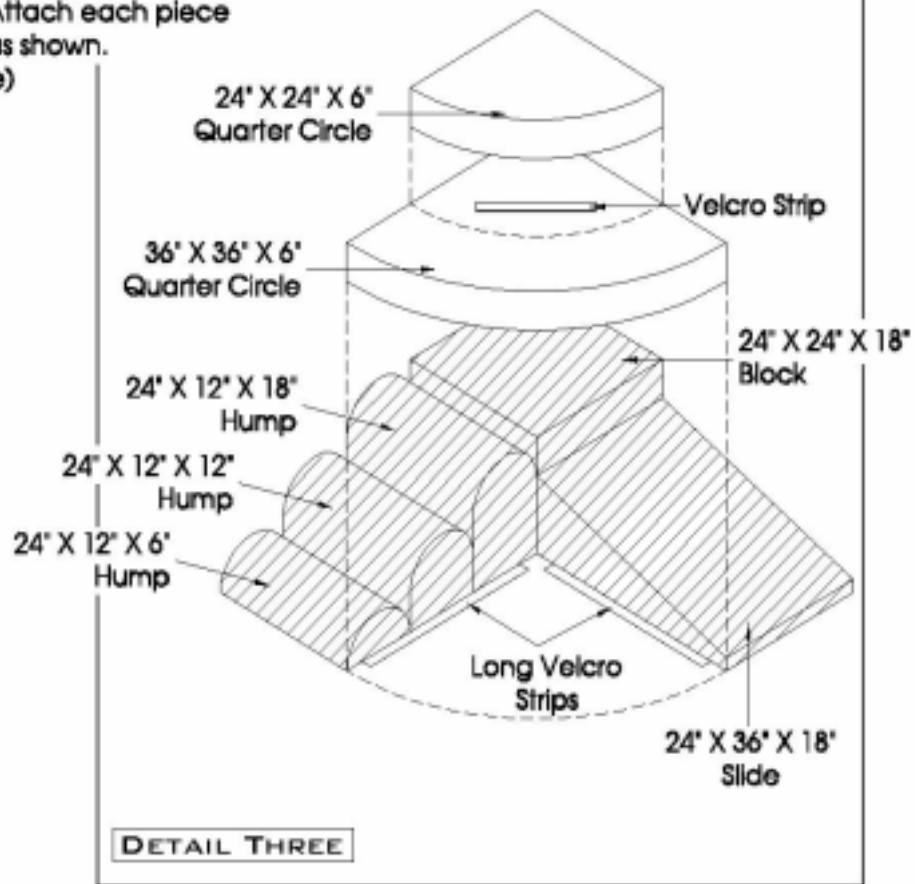
Velcro Strip

- (A) Attach one half of the Velcro Strip to sewn-on velcro on bottom of foam pieces as shown.
- (B) Set next foam piece firmly against the first to insure the exposed half of the Velcro Strip adheres to the piece's sewn-on velcro.

Step One: Locate (1) 24" X 12" X 6" Hump, (1) 24" X 12" X 12" Hump, (1) 24" X 12" X 18" Hump, (1) 24" X 24" X 18" Block, (1) 24" X 36" X 12" Slide, (4) Short Velcro Strips, and (2) Long Velcro Strips. Attach one half of Velcro Strip to sewn-on Velcro on bottom of each foam piece as shown. (See Detail Two)



Step Two: Locate (1) 36" X 36" X 6" Quarter Circle and (1) 24" X 24" X 6" Quarter Circle. Attach each piece to Velcro Strips as shown. (See Detail Three)



Assembled unit

