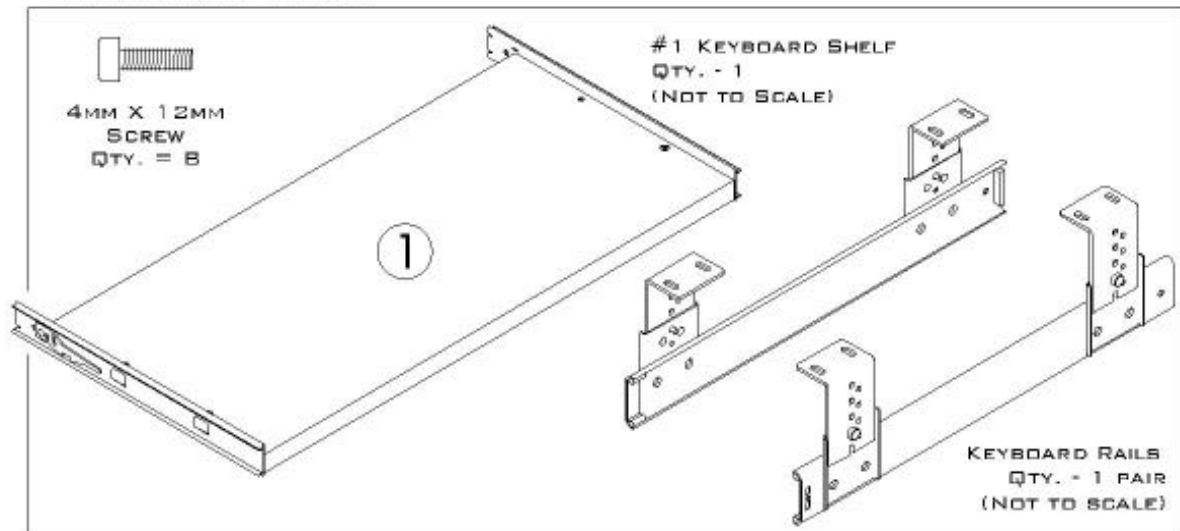


Benee's 22.5' Keyboard - Model # WD0914 & KD0914

HARDWARE / TOOLS

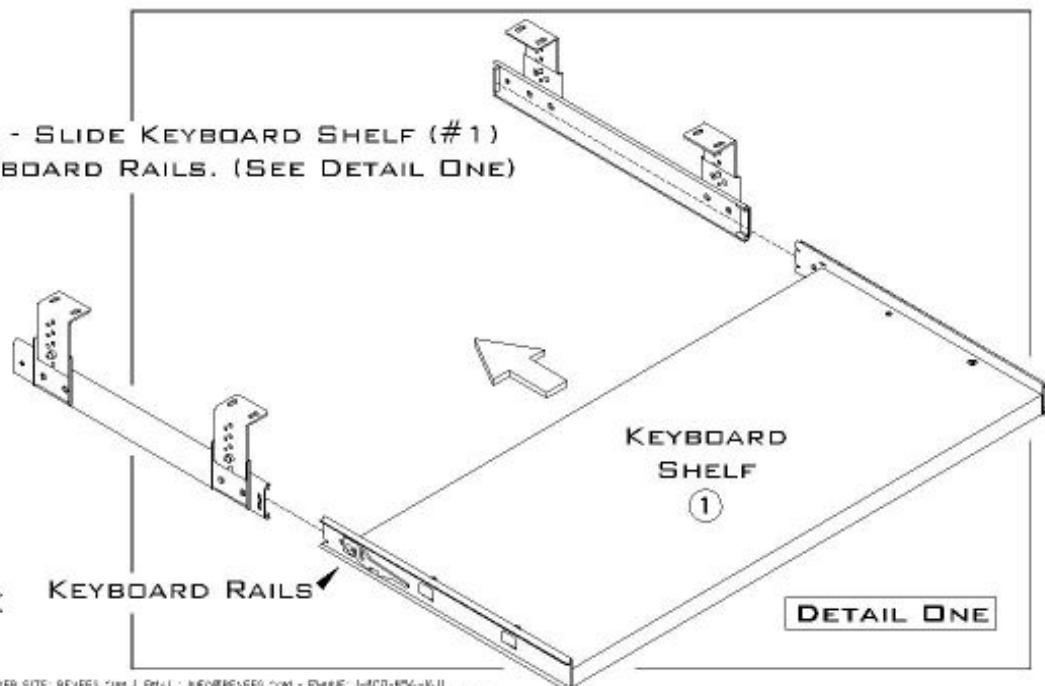


TOOL REQUIRED: PHILLIPS SCREWDRIVER

NOTE: DO NOT USE A POWER SCREWDRIVER OR A POWER DRILL TO TIGHTEN SCREWS

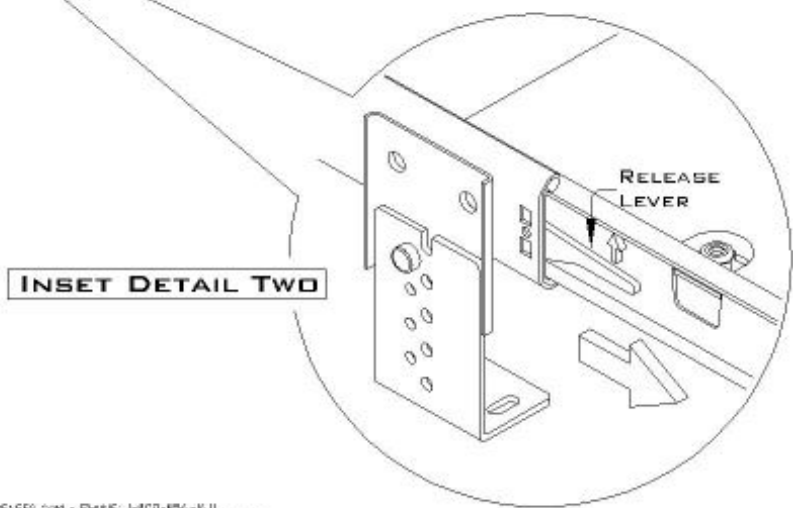
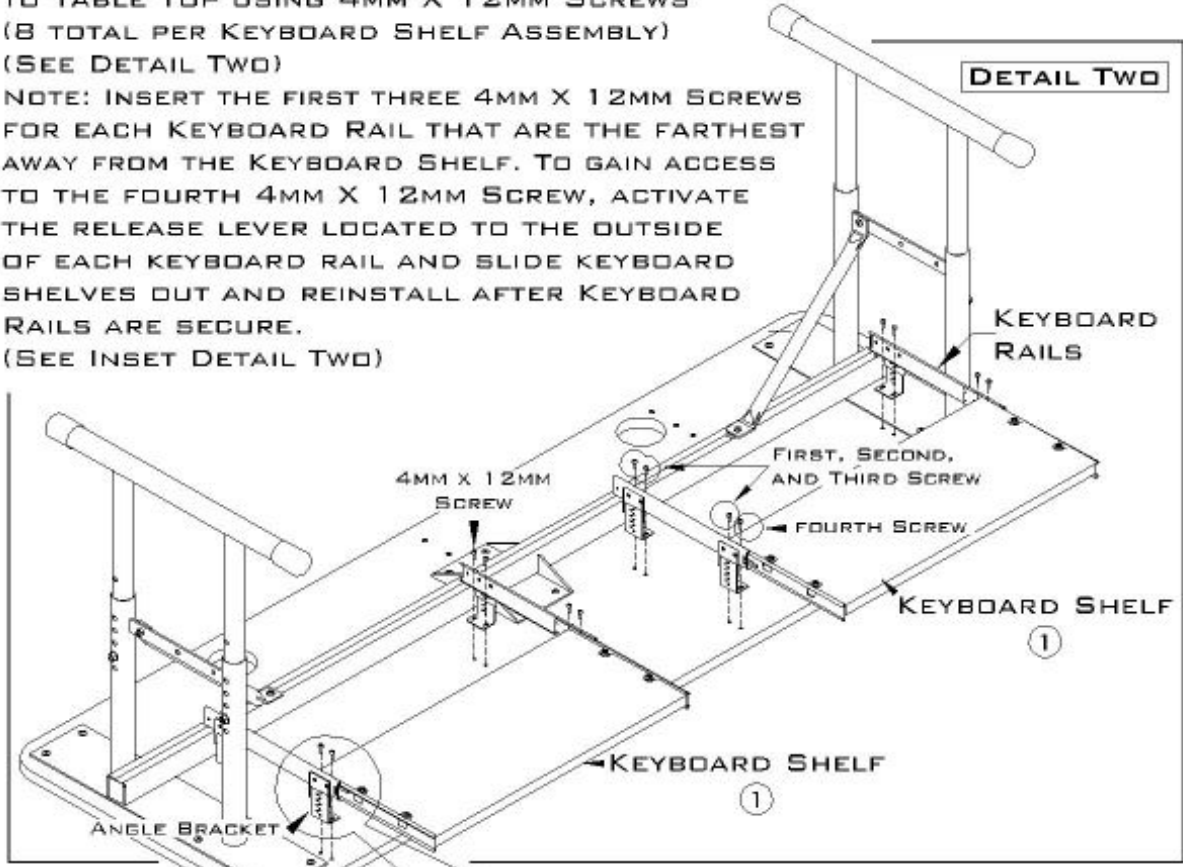
INSPECT ALL PARTS FOR FREIGHT DAMAGE. IF DAMAGE IS DISCOVERED, AND IT WAS NOT NOTED ON THE BILL OF LADING AT THE TIME OF DELIVERY, PLEASE CALL Benee's AT 1-800-854-1411.

**STEP #1 - SLIDE KEYBOARD SHELF (#1)
INTO KEYBOARD RAILS. (SEE DETAIL ONE)**



STEP #2 - ATTACH KEYBOARD SHELF ASSEMBLY TO TABLE TOP USING 4MM X 12MM SCREWS (8 TOTAL PER KEYBOARD SHELF ASSEMBLY) (SEE DETAIL TWO)

NOTE: INSERT THE FIRST THREE 4MM X 12MM SCREWS FOR EACH KEYBOARD RAIL THAT ARE THE FARTHEST AWAY FROM THE KEYBOARD SHELF. TO GAIN ACCESS TO THE FOURTH 4MM X 12MM SCREW, ACTIVATE THE RELEASE LEVER LOCATED TO THE OUTSIDE OF EACH KEYBOARD RAIL AND SLIDE KEYBOARD SHELVES OUT AND REINSTALL AFTER KEYBOARD RAILS ARE SECURE. (SEE INSET DETAIL TWO)



WEB SITE: BEVEES.COM / EMAIL: INFO@BEVEES.COM - PHONE: 1-800-854-1411
 1602 AIRPARK DRIVE - FARMINGTON, MISSOURI 65640 - FAX: (573) 756-2584
 PART# INCHDC914 - REVISED DATE: 06/18/04