

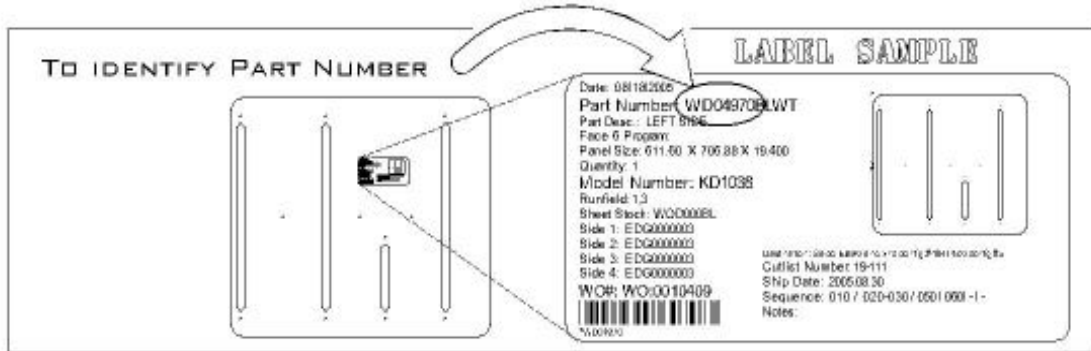
# Dbl. Sided Shelf Unit - Model # KD1038

## HARDWARE / TOOLS

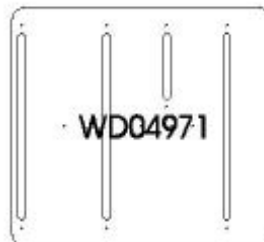
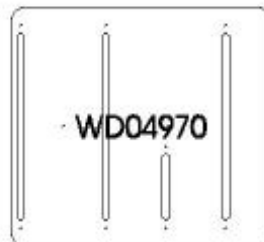


TOOL REQUIRED: HEX WRENCH (PROVIDED).

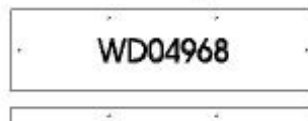
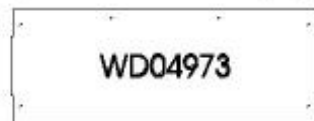
NOTE: DO NOT USE A POWER SCREWDRIVER OR A POWER DRILL TO TIGHTEN SCREWS



## PIECES ENCLOSED: (NOT SHOWN TO SCALE)



Part #	Part Desc.	Qty.
WD04970	Left Side	1
WD04971	Right Side	1
WD04972	Shelf	3
WD04968	Small Back	1
WD04974	Large Back	1
WD04973	Shelf	1

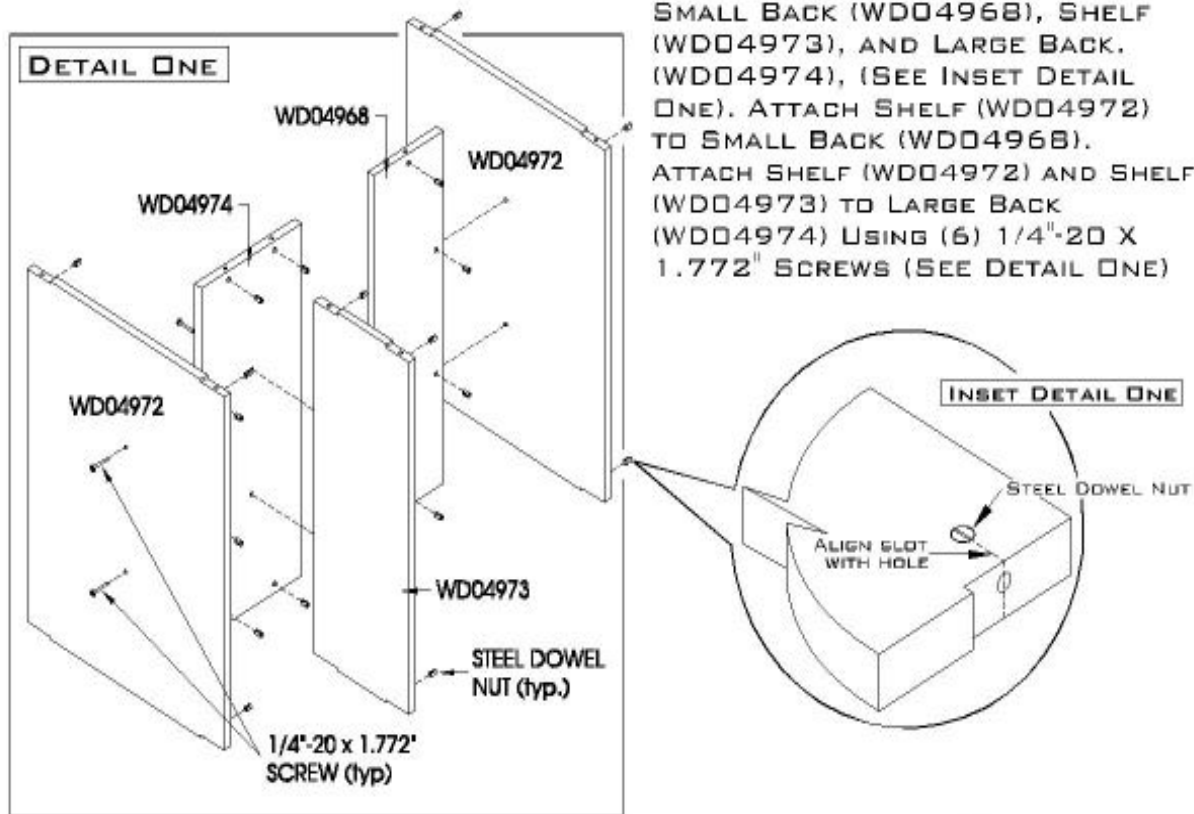


INSPECT ALL PARTS FOR FREIGHT DAMAGE. IF DAMAGE IS DISCOVERED, AND IT WAS NOT NOTED ON THE BILL OF LADING AT THE TIME OF DELIVERY, PLEASE CALL **bonee's** AT 1-800-854-1411.

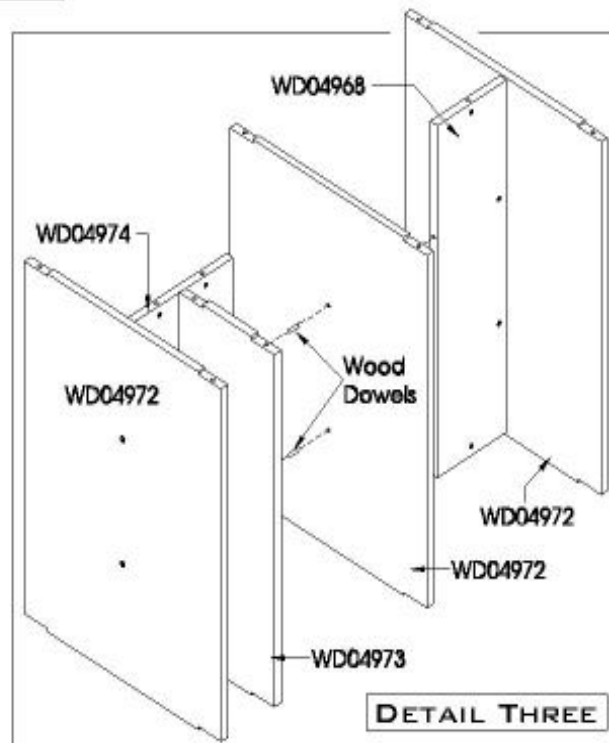
**STEP #1 - LAYOUT ALL PARTS AND HARDWARE TO INSURE EVERYTHING HAS BEEN INCLUDED AND THAT YOU ARE FAMILIAR WITH THE COMPONENTS.**

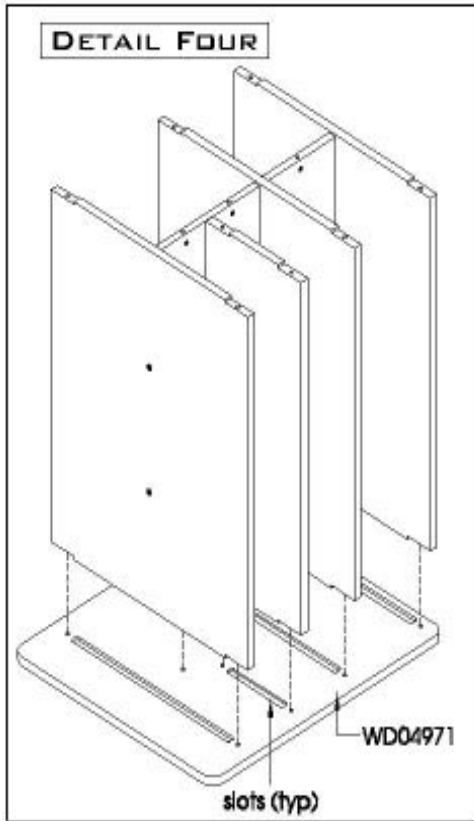


**STEP #2 - INSERT (28) STEEL DOWEL NUTS INTO EACH 10.5 MM HOLE IN THE (3) SHELVES (WDD4972), SMALL BACK (WDD4968), SHELF (WDD4973), AND LARGE BACK (WDD4974), (SEE INSET DETAIL ONE). ATTACH SHELF (WDD4972) TO SMALL BACK (WDD4968). ATTACH SHELF (WDD4972) AND SHELF (WDD4973) TO LARGE BACK (WDD4974) USING (6) 1/4"-20 X 1.772" SCREWS (SEE DETAIL ONE)**



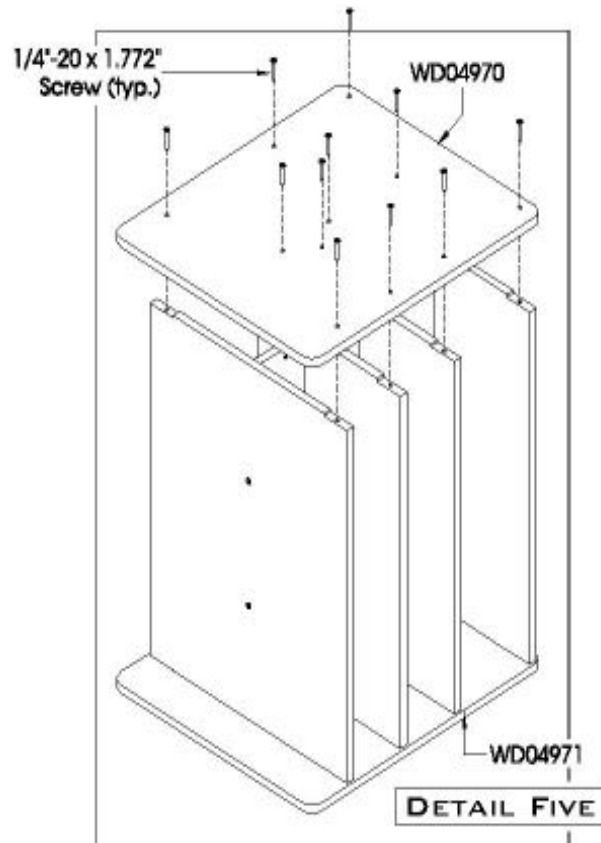
**STEP #3 - LOCATE THIRD SHELF (WDD4972) AND (4) WOOD DOWELS. TAKE (2) ASSEMBLIES FROM STEP #1 AND ATTACH TO SHELF (WDD4972) USING WOOD DOWELS. (SEE DETAIL THREE)**





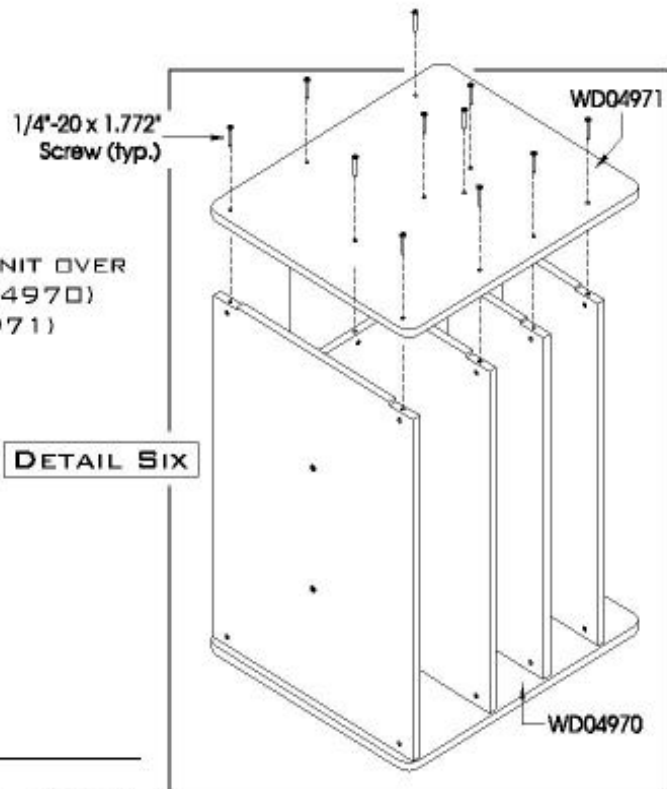
**STEP #4 - LAY RIGHT SIDE (WDD4971) ON THE FLOOR WITH SLOTS FACING UP. TAKE ASSEMBLY FROM STEP #3 AND PLACE INTO SLOTS IN RIGHT SIDE (WDD4971). (SEE DETAIL FOUR)**

**STEP #5 - LOCATE LEFT SIDE (WDD4970) ATTACH USING (11) 1/4"-20 x 1.772". (SEE DETAIL FIVE)**

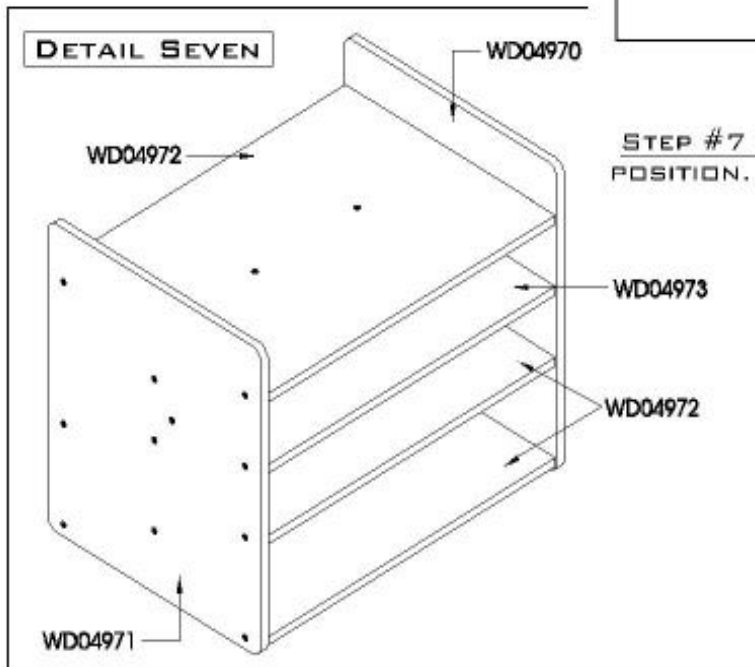


**STEP #6** - CAREFULLY TURN UNIT OVER TO LAY ON THE LEFT SIDE (WD04970) AND ATTACH RIGHT SIDE (WD04971) USING (11) 1/4"-20 X 1.772". (SEE DETAIL SIX)

**DETAIL SIX**



**DETAIL SEVEN**



**STEP #7** - TURN UNIT INTO AN UPRIGHT POSITION. (SEE DETAIL SEVEN)

